

DEMOLITION- AND SORTINGGRAB

TYPE: VRG-40
ITEM No.: 200305600

serial number :

Verachttert Nederland
Sigarenmakerstraat 9
Postbus 3069
NL-5203 DB 's-Hertogenbosch
Nederland
Tel.: 073-6404111
Fax : 073-6423065

Verachttert Belgie/Belgique
Weverstraat 31
B-1840 Londerzeel
Belgie
Tel.: 052-303851
Fax : 052-303350

Verachttert International
Sigarenmakerstraat 9
P.O. box 3069
NL-5203 DB 's-Hertogenbosch
The Netherlands
Tel. : ++31.73.6404111
Fax : ++31.73.6428105

This book is the partsbook of a Verachtert product.

For a proper and save functioning, it is required to replace defective parts by original spare parts.

Repairing or welding parts is only allowed with written permission of Verachtert B.V..

In order to make sure the correct part is delivered on time, please state the following:

- type of equipment
- serial number
- position number
- part number
- quantity
- name and adress of customer

The first two items can also be found in the operating manual or the type label mounted on the product.

The instructions to use the product are given in the "operating manual". The delivery of the product also includes the operating manual.

Always consult the operating manual when carrying out maintenance or repair jobs.

STRUCTURAL COMPONENTS

TYPE

ITEM No.

DATE

PAGE



DEMOLITION- AND SORTINGGRAB

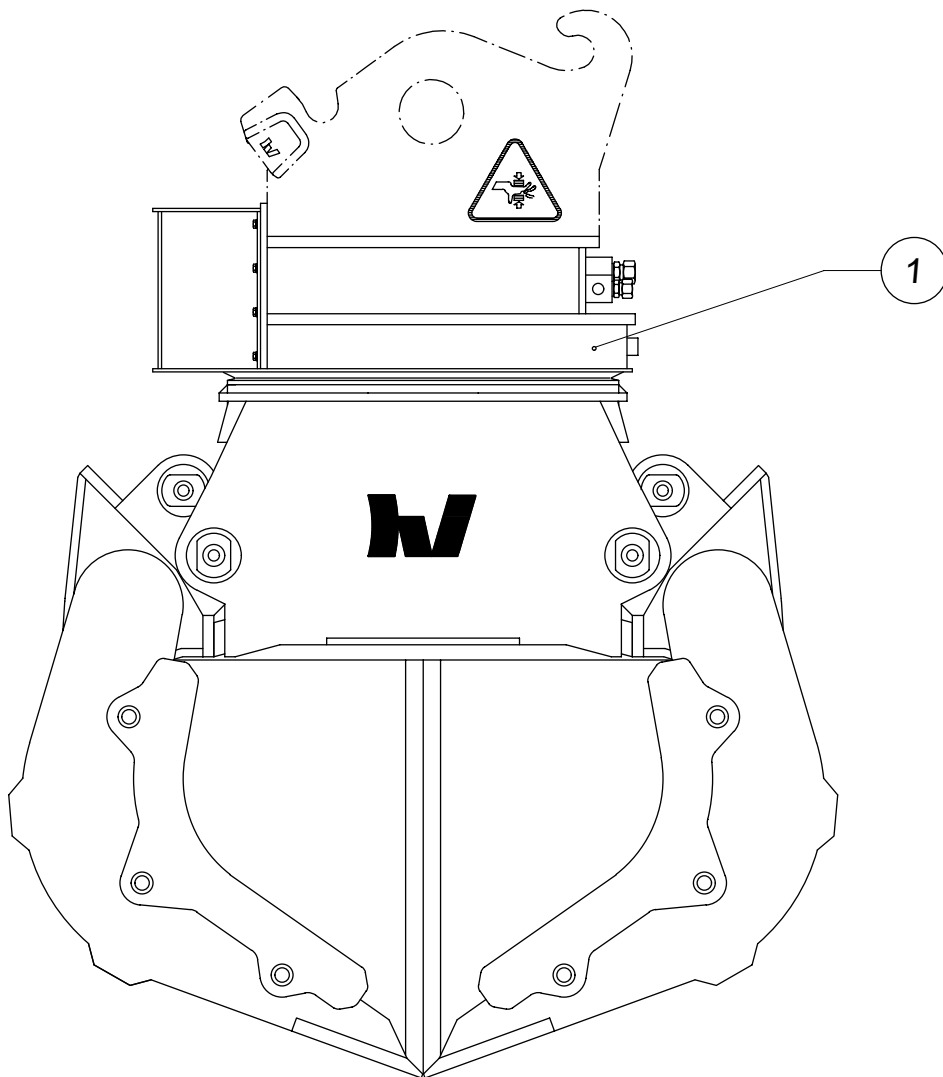
VRG-40

FROM: 200305600

03/95

001.01.01

TO:





DEMOLITION- AND SORTINGGRAB

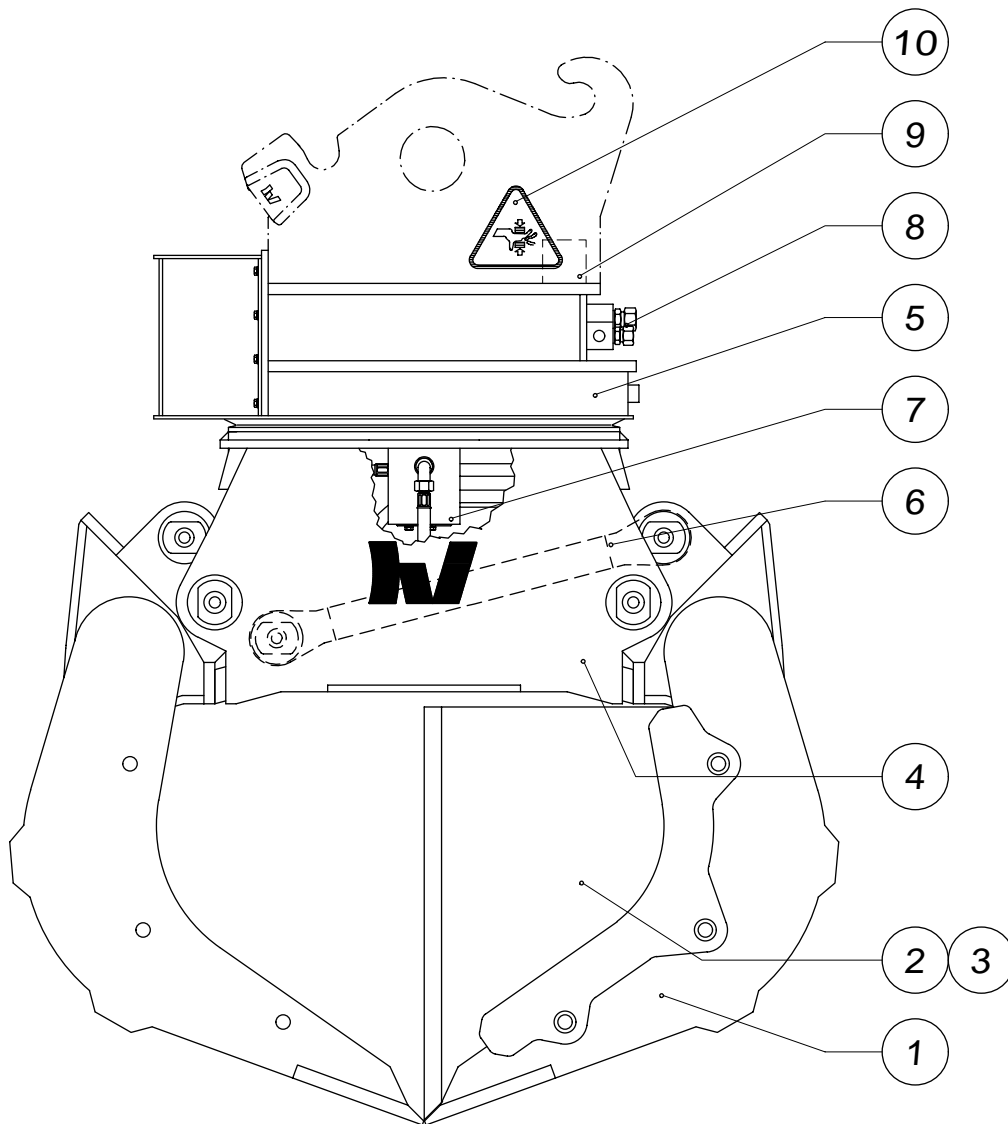
VRG-40

FROM: 200305600

TO:

03/95

010.01.03





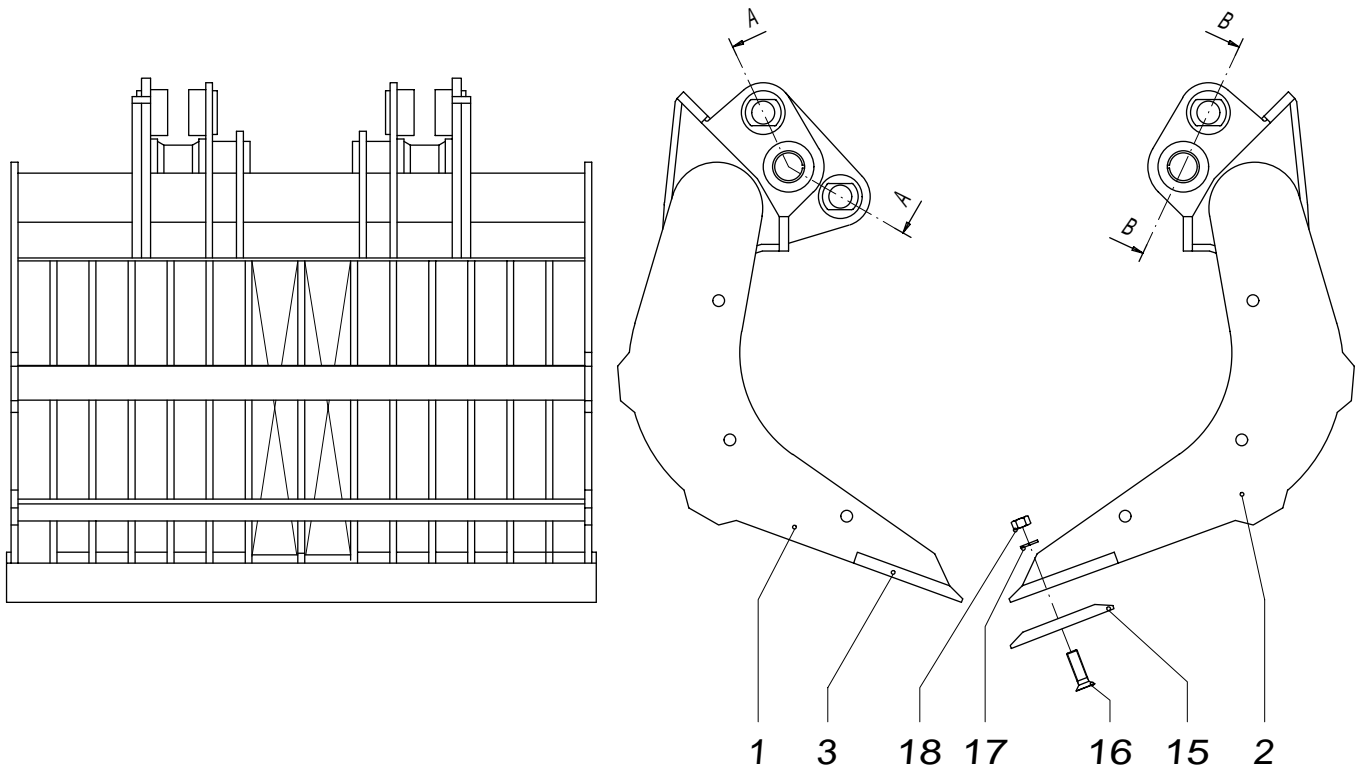
SHELL SET (LEFT, RIGHT)

VRG-40

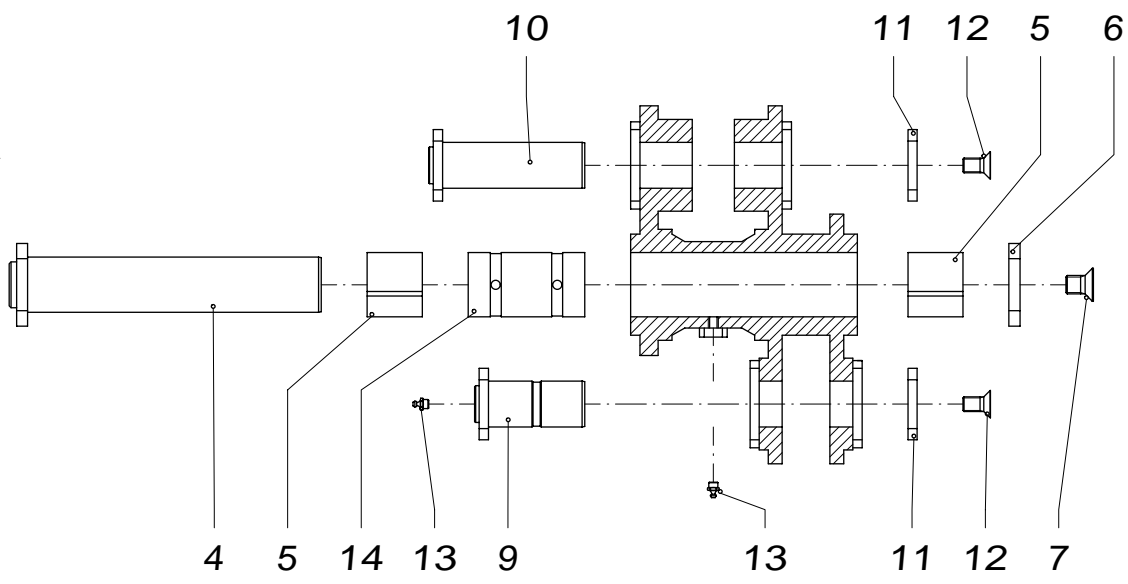
FROM: 200305600

03/95

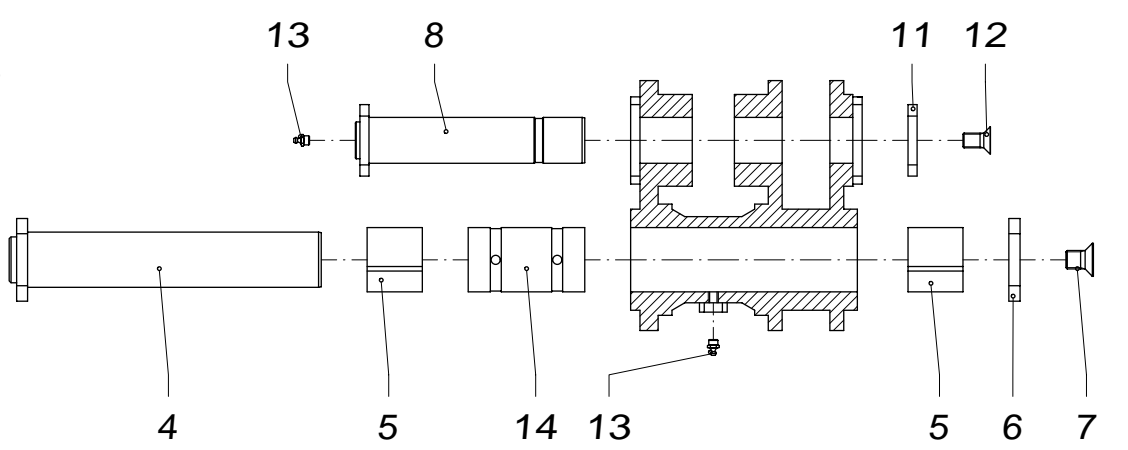
020.01.03



A-A



B-B





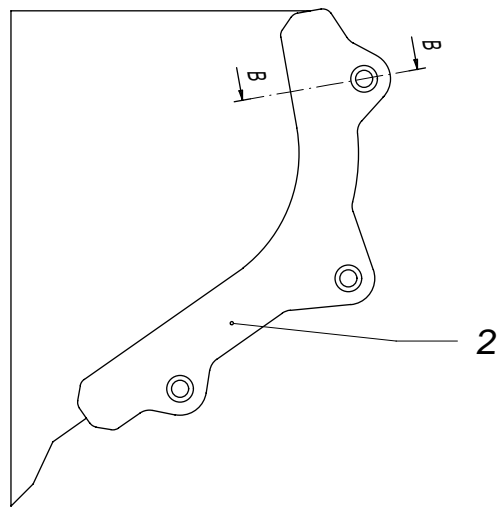
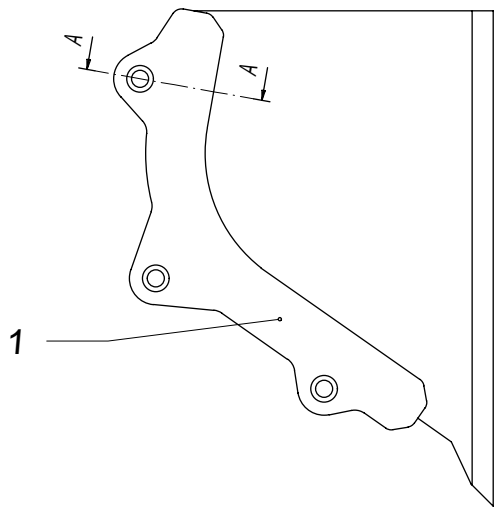
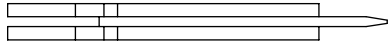
REMOVABLE SIDE PLATES

VRG-40

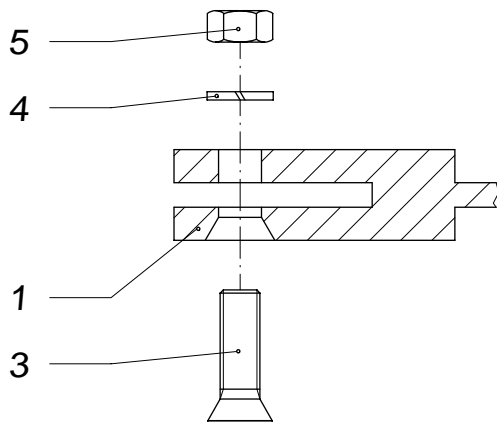
FROM: 200305600

03/95

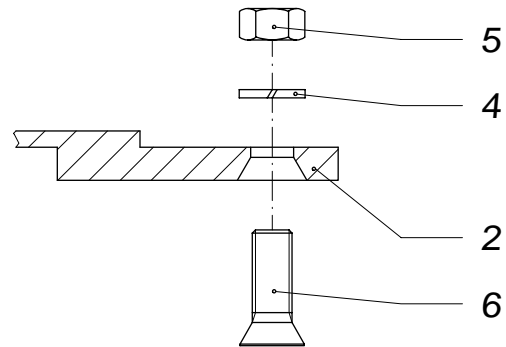
030.01.02



A-A



B-B



STRUCTURAL COMPONENTS

TYPE

ITEM No.

DATE

PAGE



YOKE

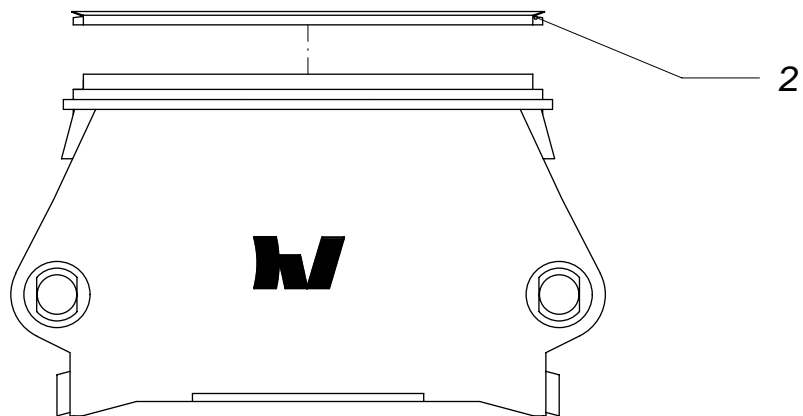
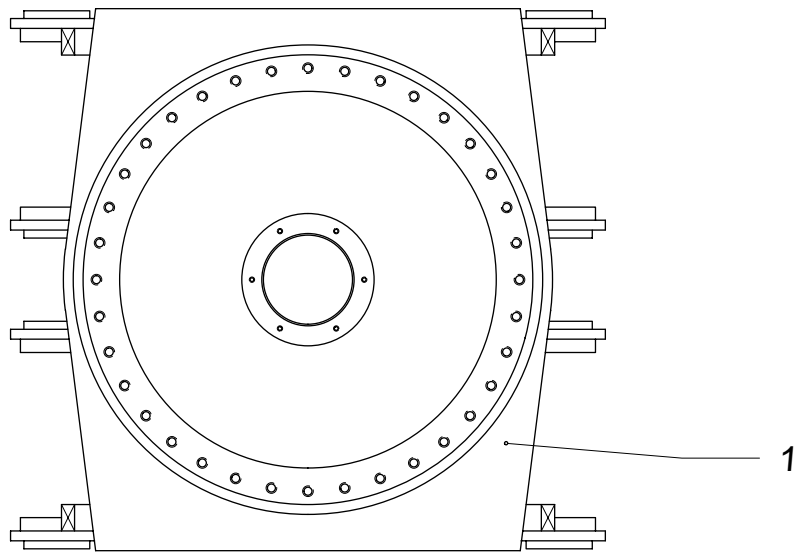
VRG-40

FROM: 200305600

03/95

040.01.02

TO:





SWIVEL HEAD

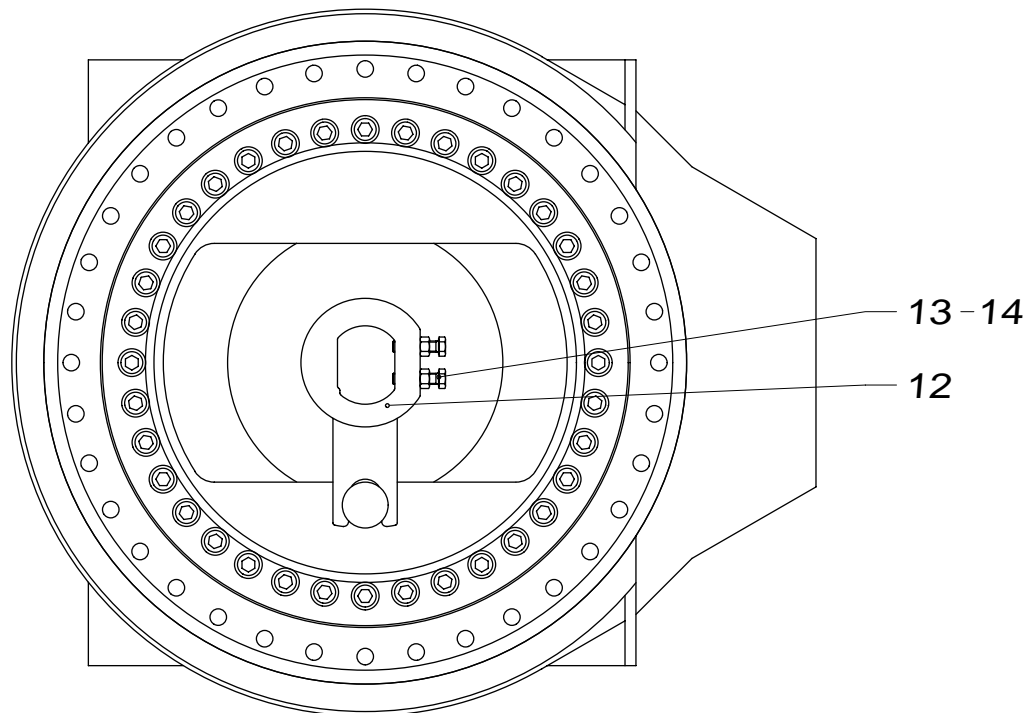
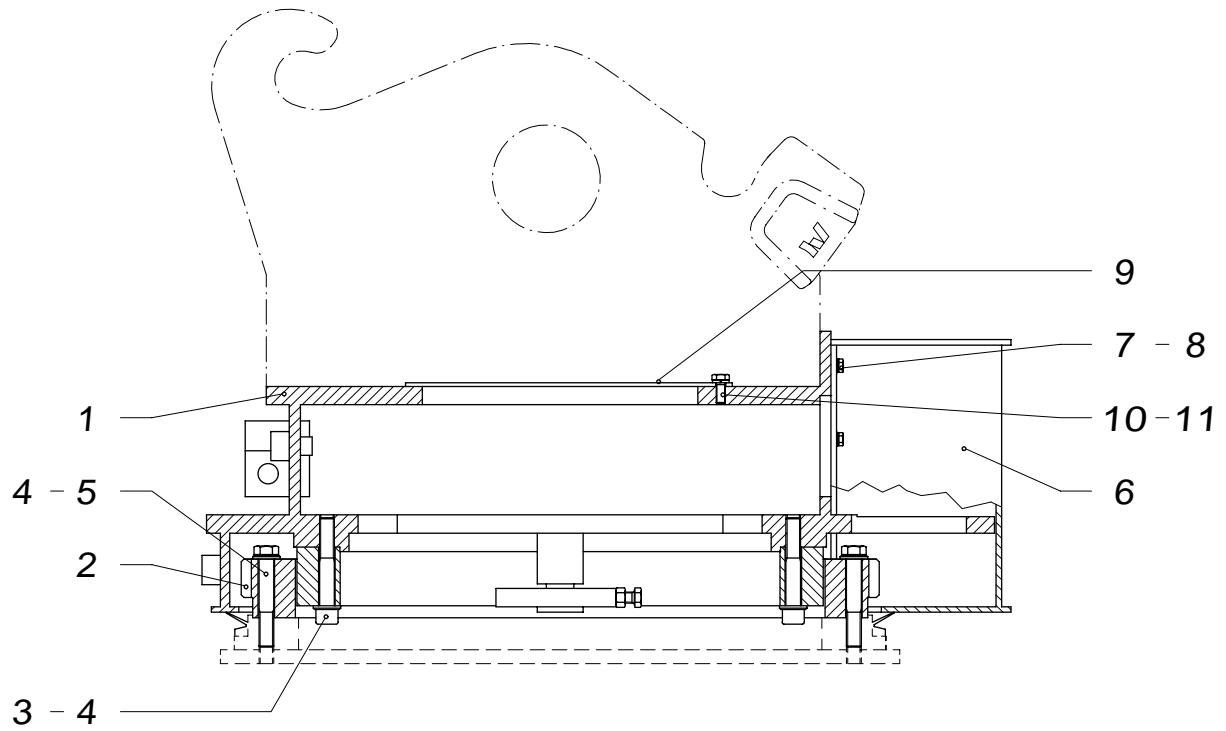
VRG-40

FROM: 200305600

TO:

03/95

050.01.03



STRUCTURAL COMPONENTS

TYPE

ITEM No.

DATE

PAGE



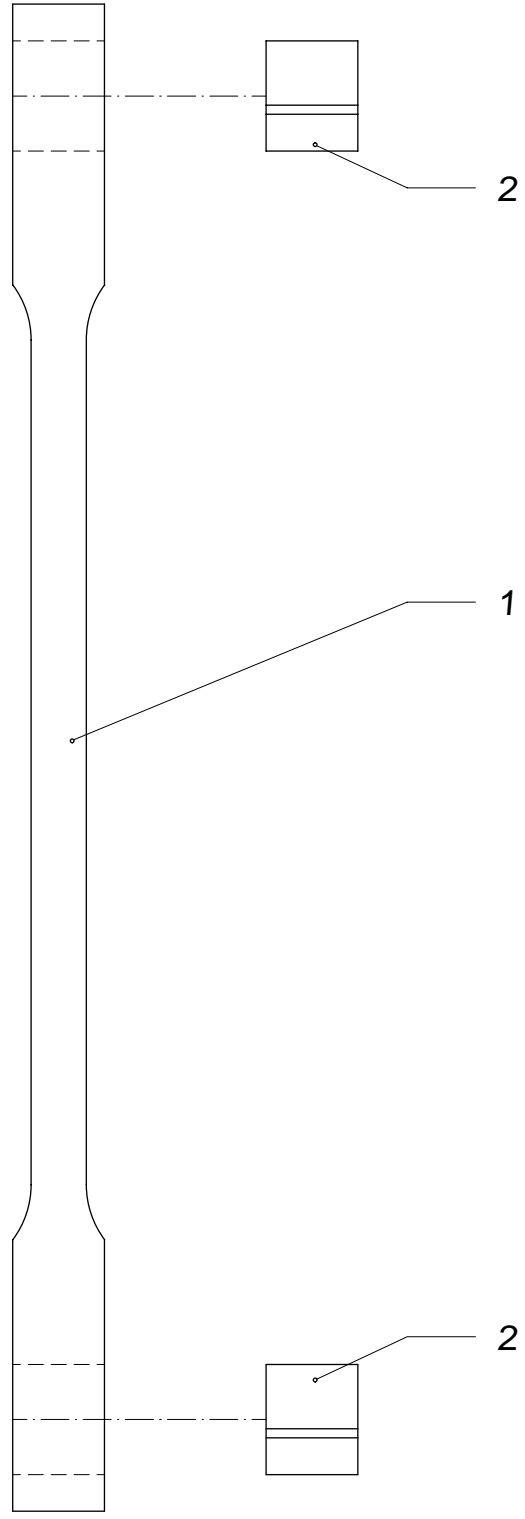
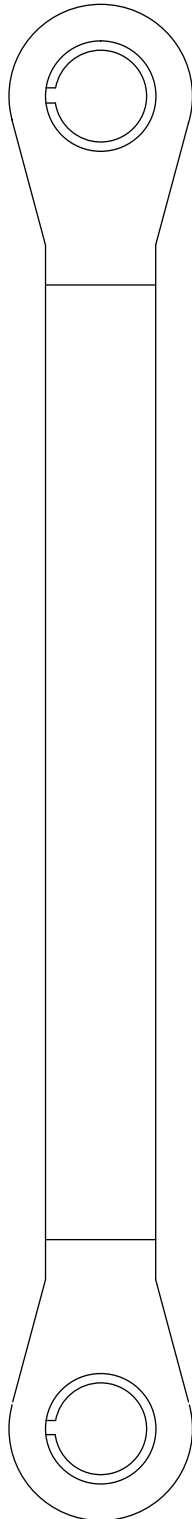
PUSH ROD

VRG-40

FROM: 200305600

03/95

060.01.01





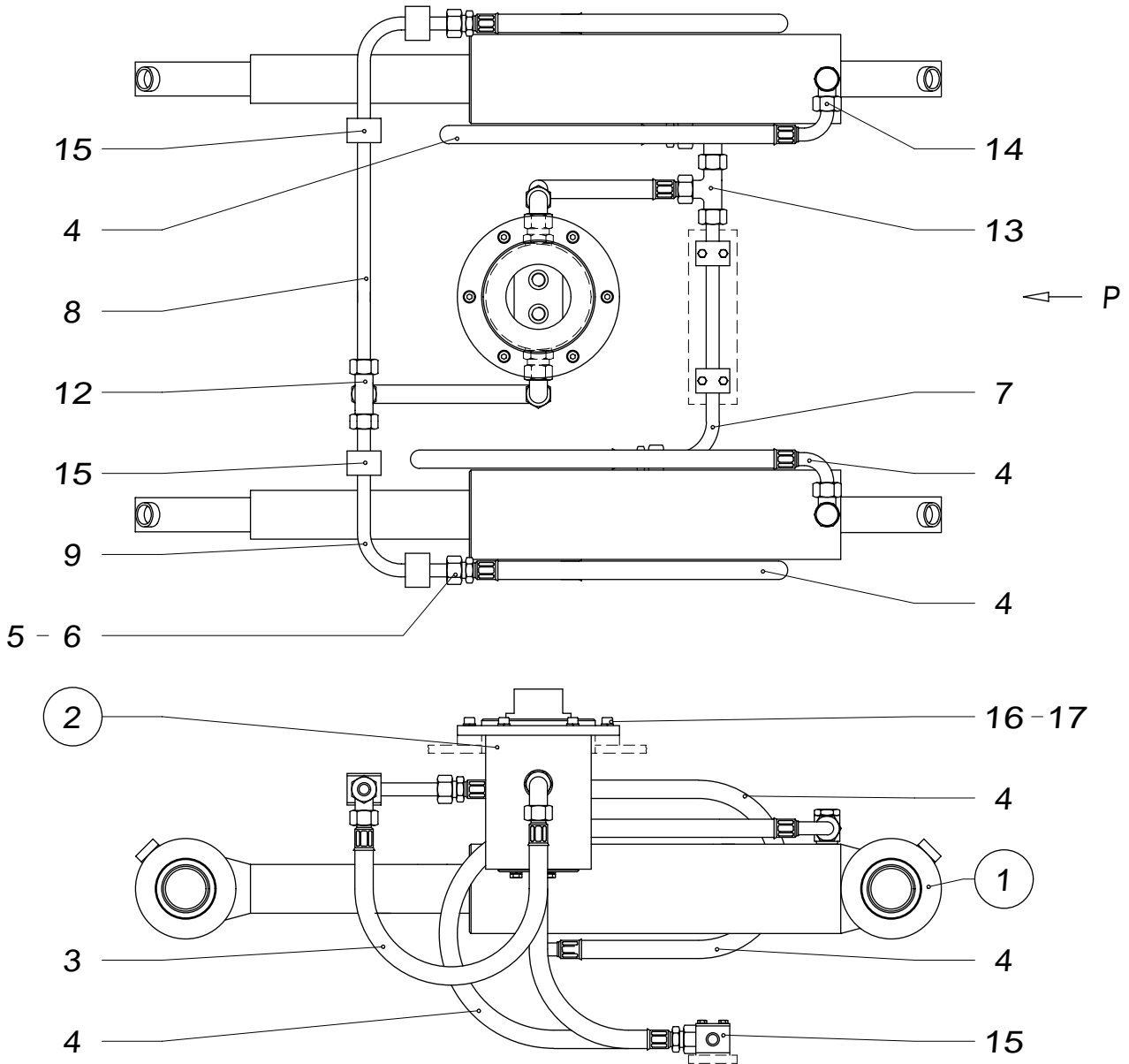
HYDR. YOKE

VRG-40

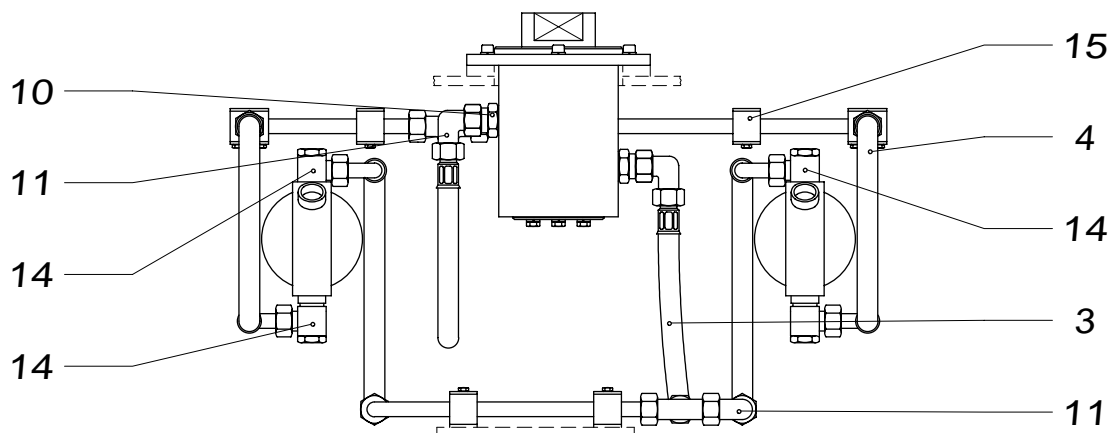
FROM: 200305600

03/95

070.01.04



VIEW P





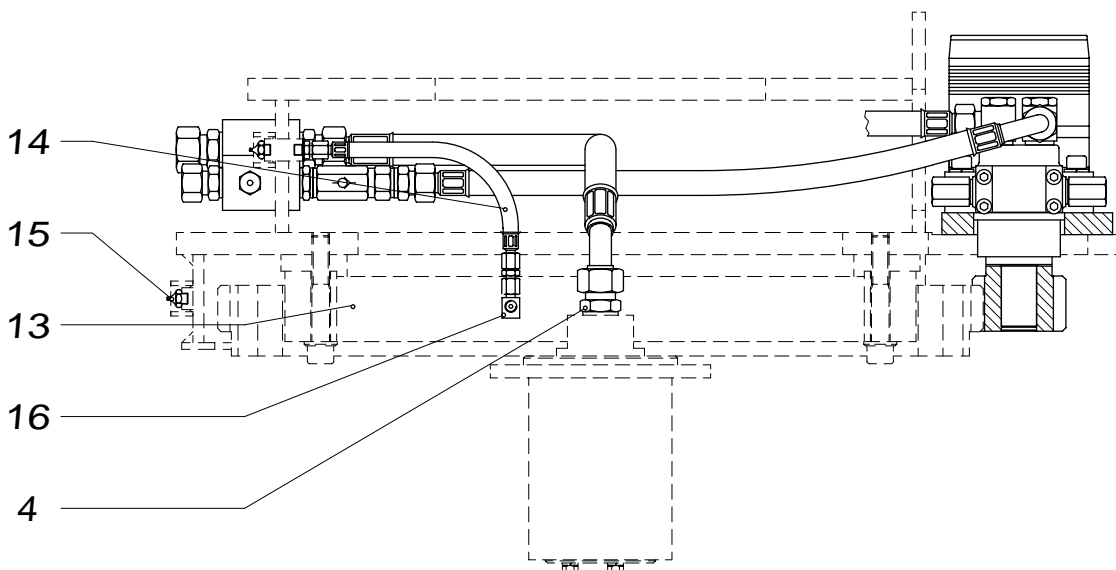
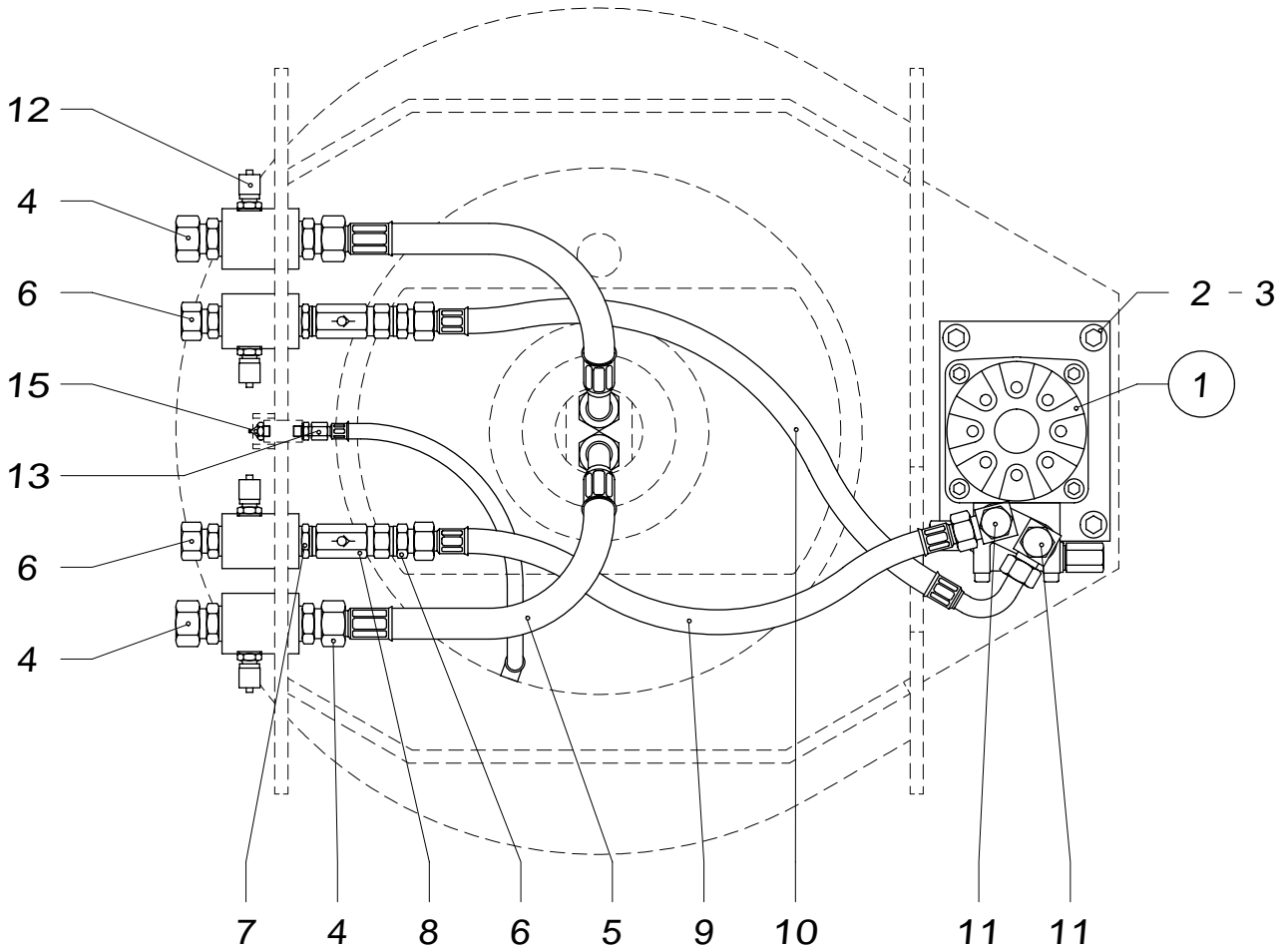
HYDR. SWIVEL HEAD

VRG-40

FROM: 200305600

03/95

080.01.04





CYLINDER

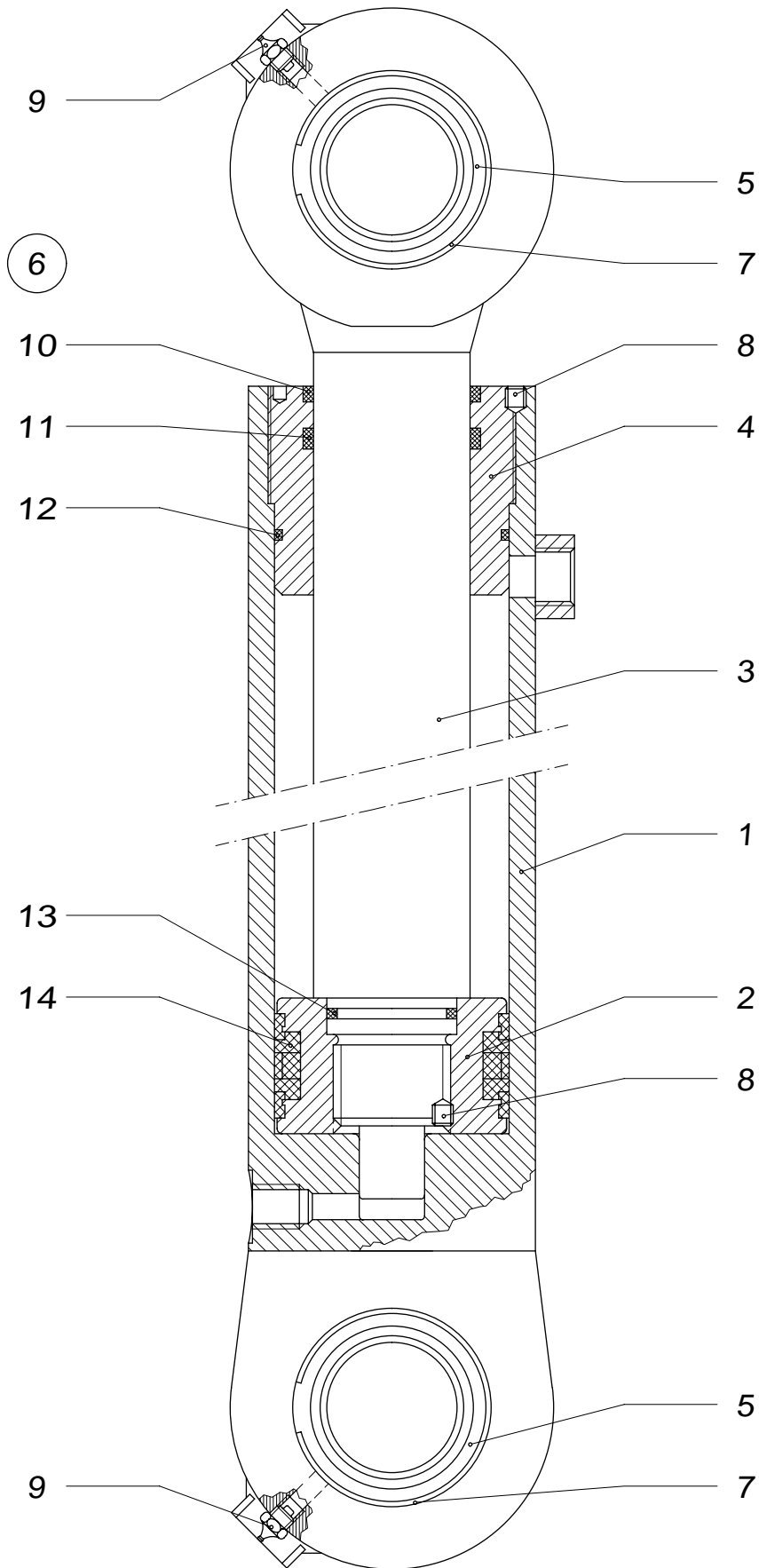
VRG-40

FROM: 200305600

TO:

03/95

090.01.02





HYDRAULIC SWIVEL JOINT

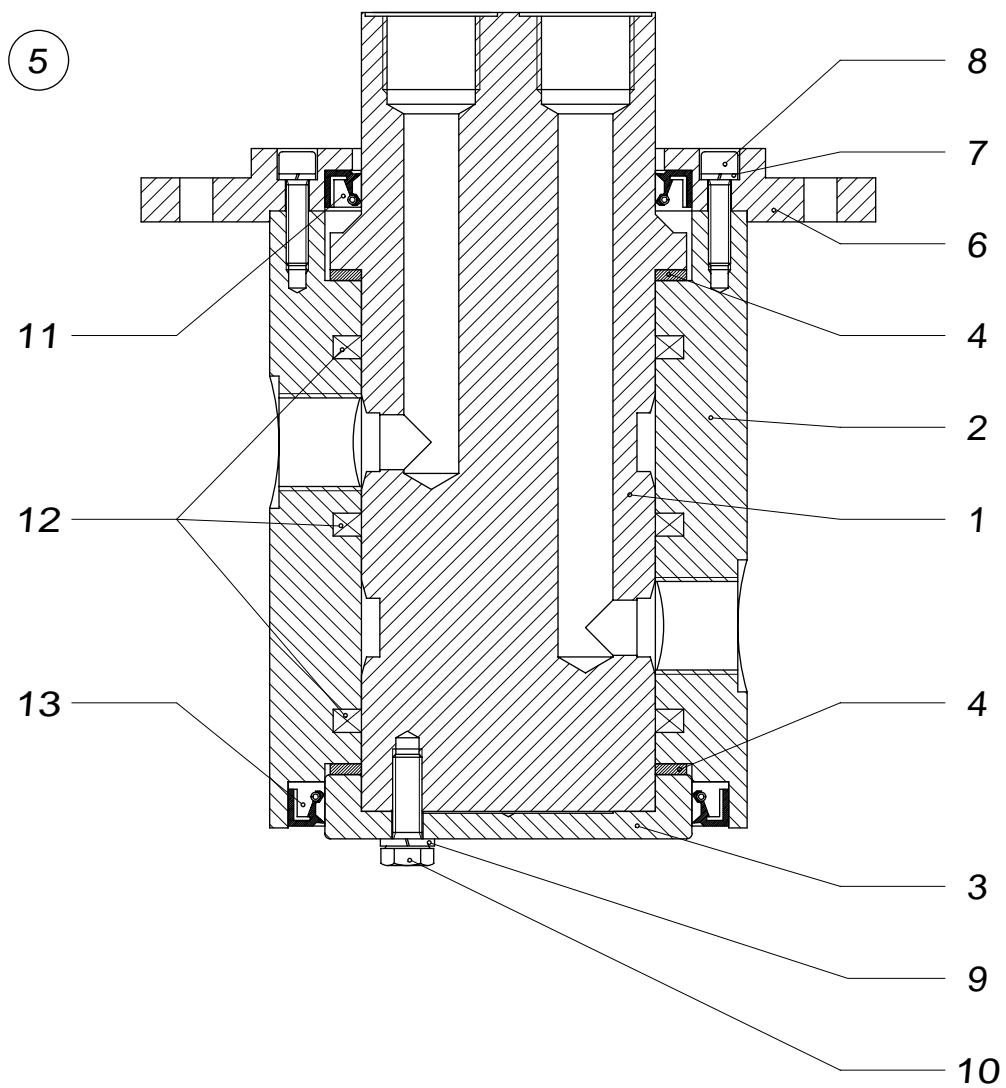
VRG-40

FROM: 200305600

TO:

03/95

100.01.03



STRUCTURAL COMPONENTS

TYPE

ITEM No.

DATE

PAGE



HYDR. MOTOR

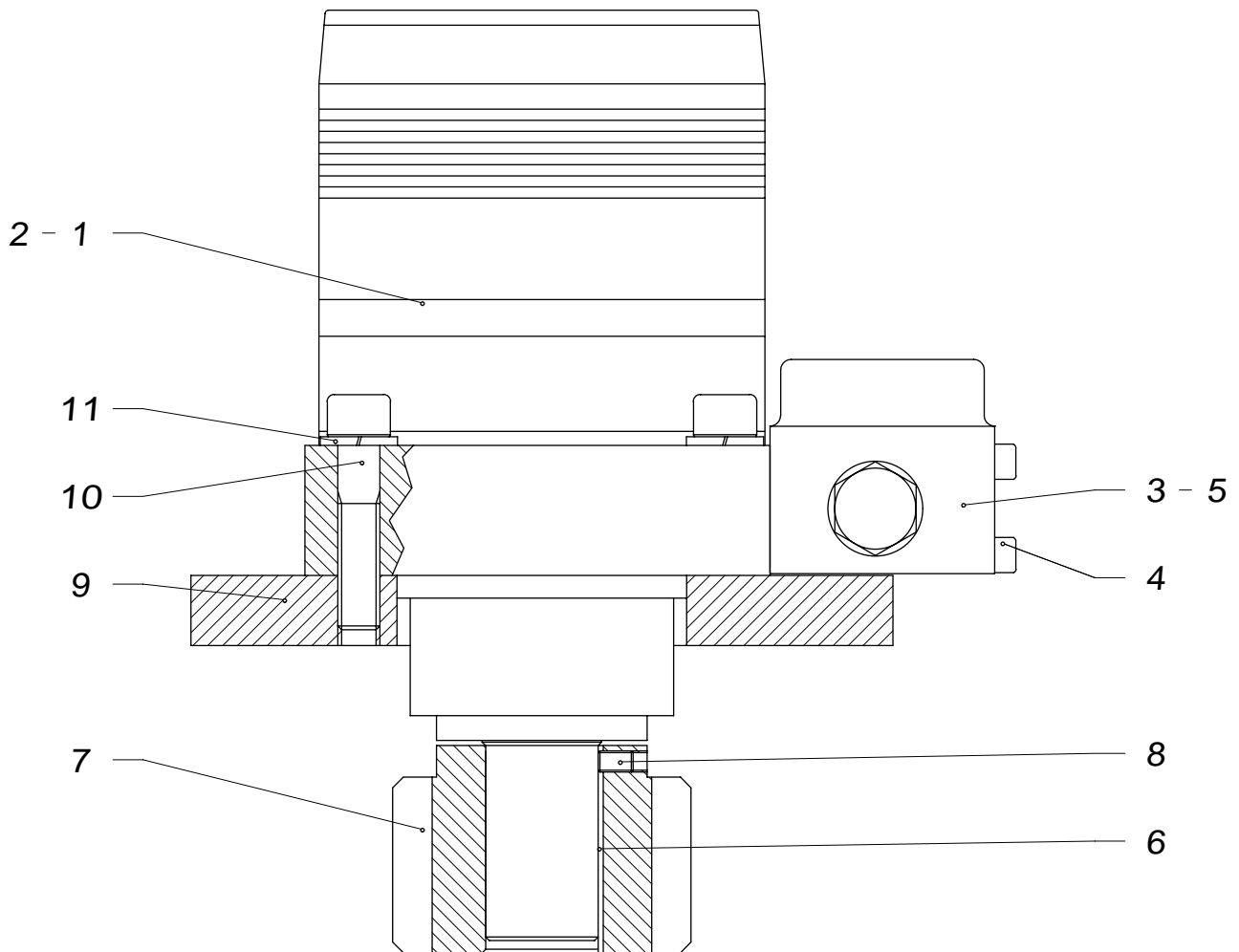
VRG-40

FROM: 200305600

TO:

03/95

110.01.02



SERIAL/ITEM No.
200305600

STRUCTURAL COMPONENTS

TYPE

DATE

PAGE

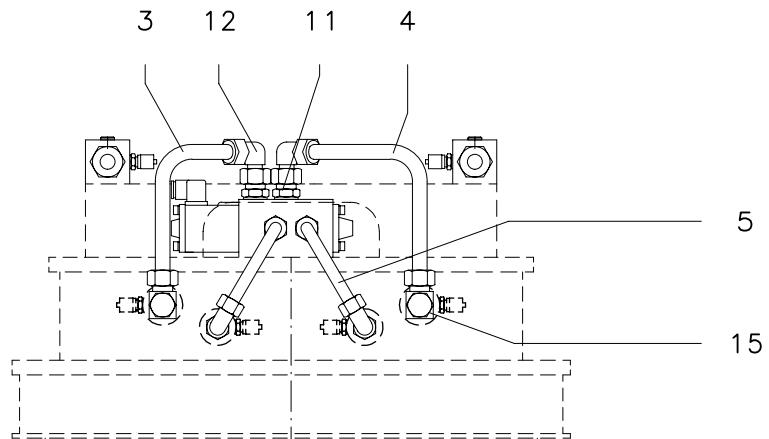
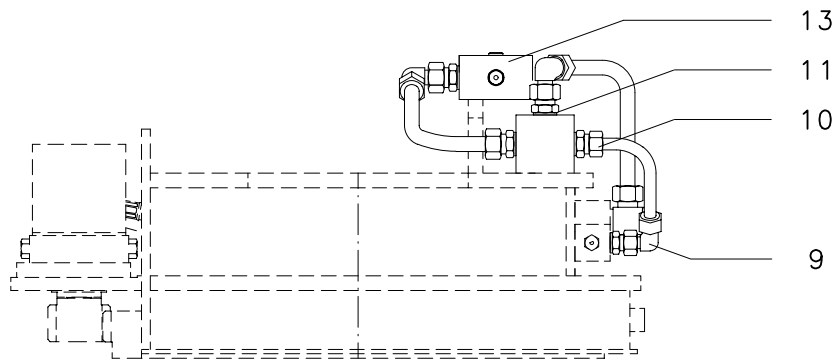
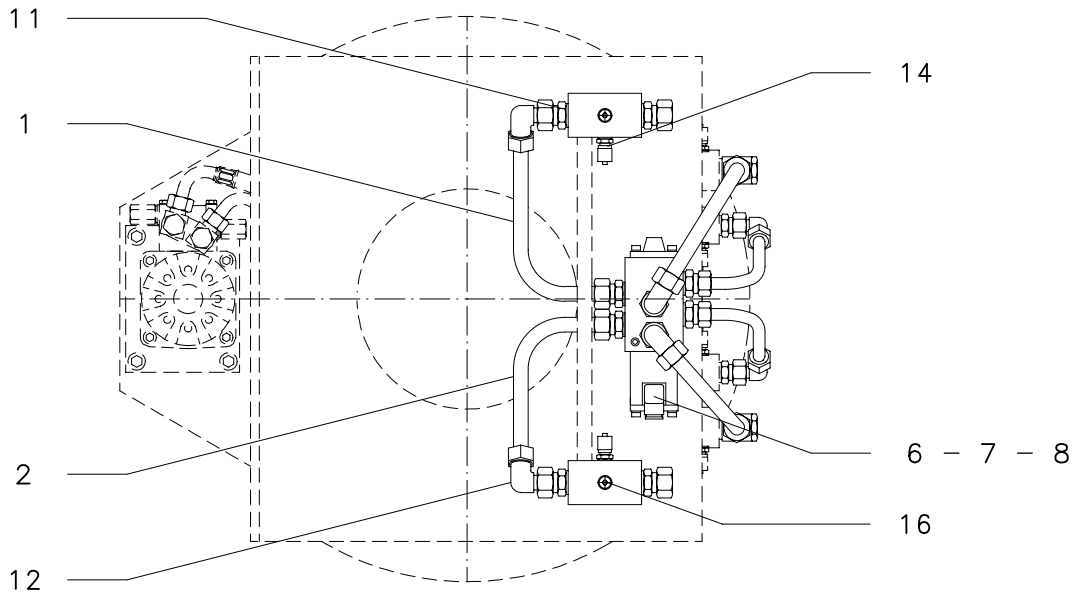


HYDR. 6/2 VALVE

VRG-40

09/2000

130.01.04



SERIAL/ITEM No.
200305600

STRUCTURAL COMPONENTS

TYPE

DATE

PAGE



HYDR. 6/2 VALVE

VRG-40

09/2000

130.01.04

P O S	part number	description	Q T Y	remarks/dimensions
1	PS308302	PIPE	1	
2	PS308305	PIPE	1	
3	PS317601	PIPE	1	
4	PS317602	PIPE	1	
5	PS317603	PIPE	2	
6	49003100	6/2 VALVE	1	
7	225149	Bolt	4	
8	292028	LOCK WASHER	4	
9	145-6284	COUPLING	2	
10	H138344	COUPLING	2	
11	145-2482	COUPLING	8	
12	H038744	COUPLING	4	
13	SS308303	GAUGE-TRANSIT	2	
14	145-5188	GAUGE-COUPLING	2	
15	H028873	COUPLING	2	
16	170-5123	COUPLING	2	