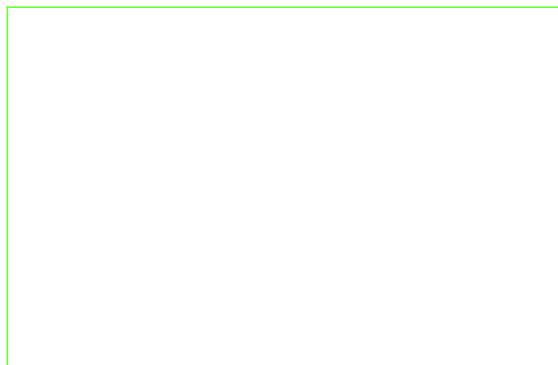


DEMOLITION-
AND SORTINGGRAB

TYPE	ITEM No.
VRG-25/2-D	220-8524
VRG-25/2-R	220-8526

serial number :

your supplier :



Product information

Note: For product identification plate locations, see the section “Product Identification information” in the Operation and Maintenance Manual.

Delivery date _____

Product Information

Model: _____

Product identification Number: _____

Engine Serial Number: _____

Transmission Serial Number: _____

Generator Serial Number: _____

Attachment Serial Numbers: _____

Attachment Information: _____

Customer Equipment Number: _____

Dealer Equipment Number _____

Dealer Information

Name: _____ Branch: _____

Address: _____

Dealer Contact

Phone Number

Hours

sales: _____

Parts: _____

service: _____

PARTSBOOK

For a proper and save functioning, it is required to replace defective parts by original spare parts.

Repairing or welding parts is only allowed with written permission of your supplier.

In order to make sure the correct part is delivered on time, please state the following:

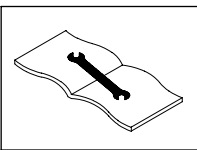
- type of equipment
- serial number
- position number
- part number
- quantity
- name and adress of customer

The first two items can also be found in the operating manual or the type label mounted on the product.

The instructions to use the product are given in the 'operating manual'. The delivery of the product also includes the operating manual.

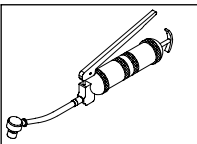
Always consult the operating manual when carrying out maintenance or repair jobs.

BETEKENIS VAN DE GEBRUIKTE SYMBOLEN / USE OF SYMBOLES



Bij vervangen van dit onderdeel zie gebruikershandleiding

Service indicator/read technical manual



Voor het smeren van onderdelen zie gebruikershandleiding

For lubrication see manual

SERIAL No.
220-8526
220-8524

STRUCTURAL COMPONENTS

TYPE

DATE

PAGE

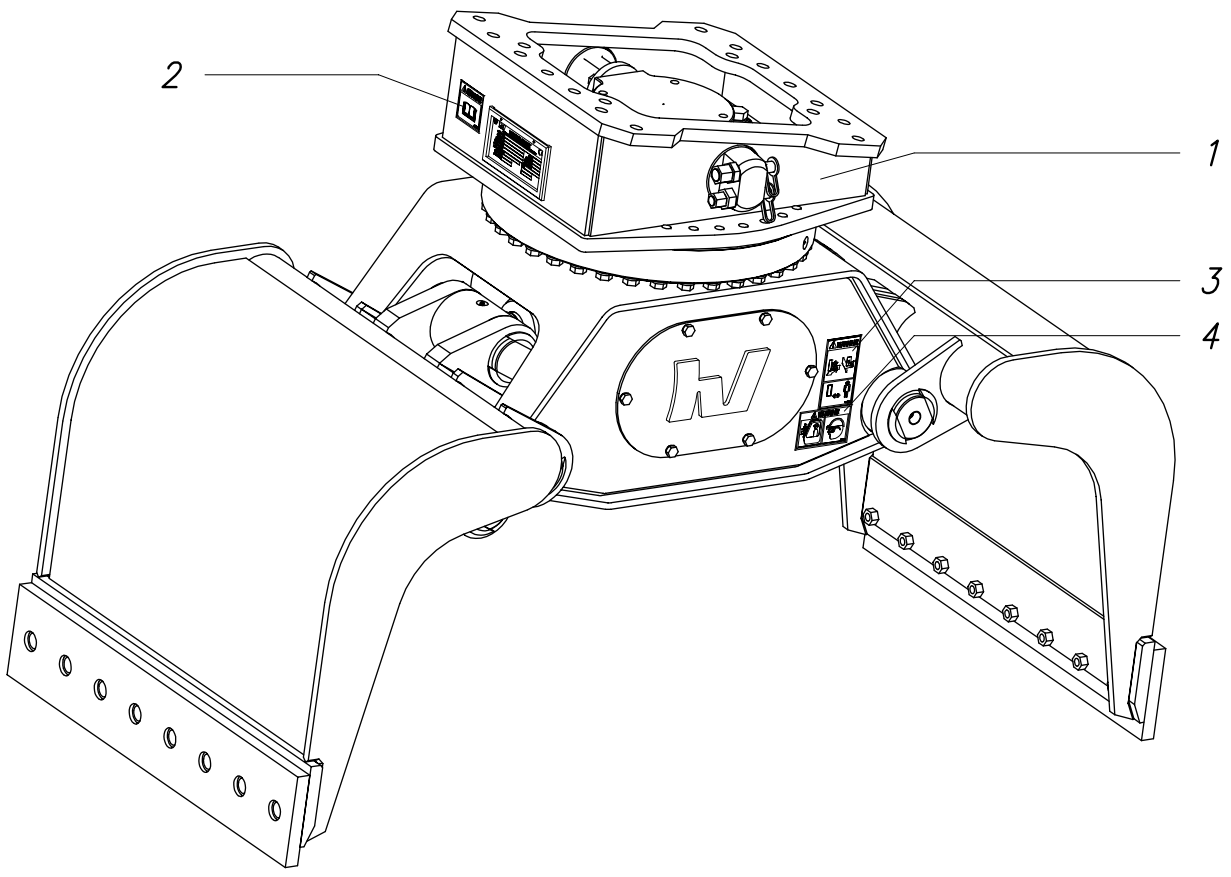


DEMOLITION AND SORTINGGRAB

VRG-25/2

06/02

010.1400



SERIAL No.	220-8526	220-8524									STRUCTURAL COMPONENTS	TYPE	DATE	PAGE
											DEMOLITION AND SORTINGGRAB	VRG-25/2	06/02	010.1400

P O S	part number	description	Q T Y	remarks/dimensions
1	220-8520	HYDR. GRAPPLE GP	1	See Page 020
2	159-8036	FILM-WARNING	1	
3	159-8035	FILM-WARNING	2	
4	157-2844	FILM-WARNING	2	
5	220-8505	MAINTENANCE KIT	1	

SERIAL No.
220-8526
220-8524

STRUCTURAL COMPONENTS

TYPE

DATE

PAGE

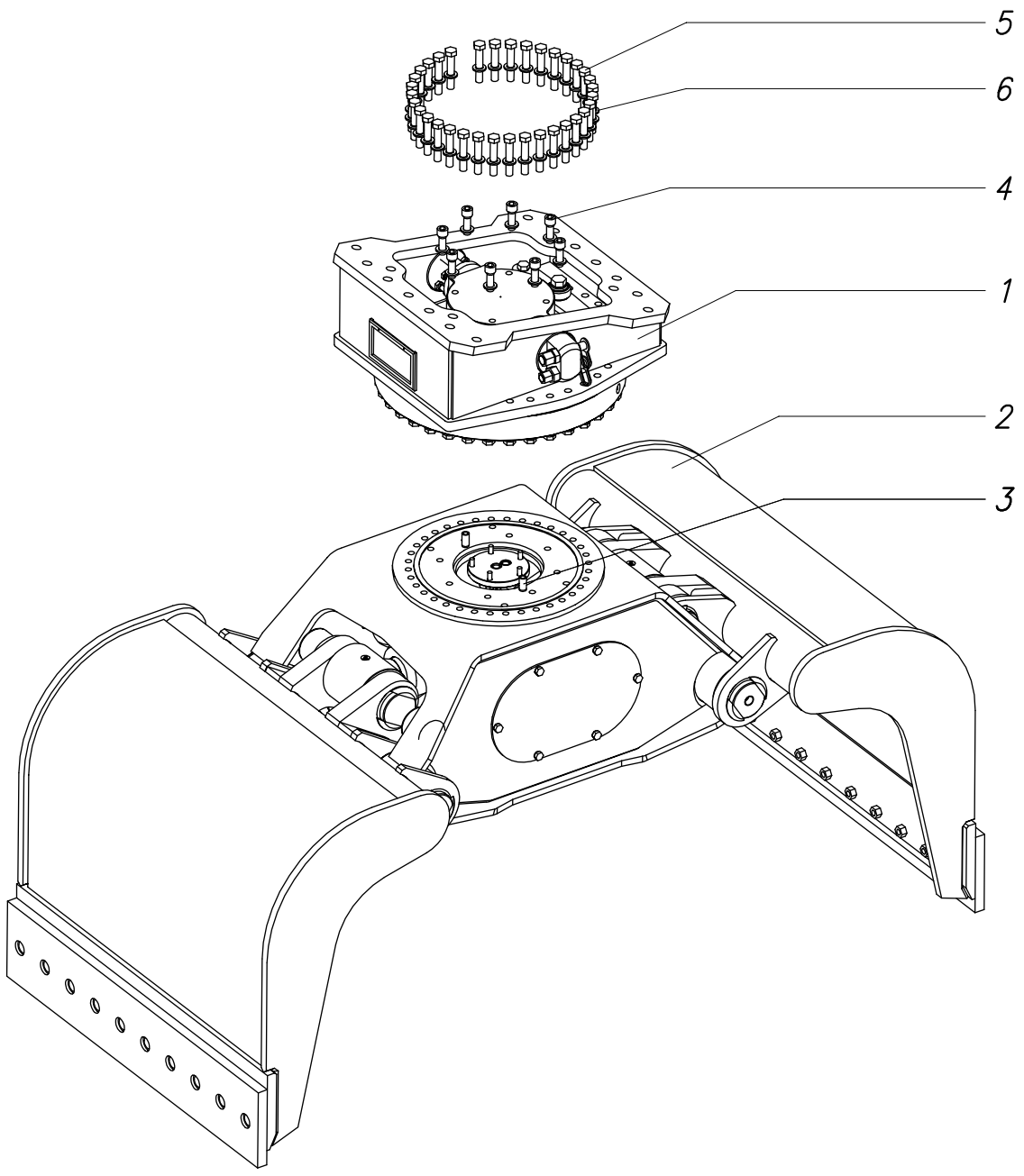


HYDR. ROTATOR GP

VRG-25/2

08/02

020.1401



SERIAL No.
220-8524
220-8526

STRUCTURAL COMPONENTS

TYPE

DATE

PAGE

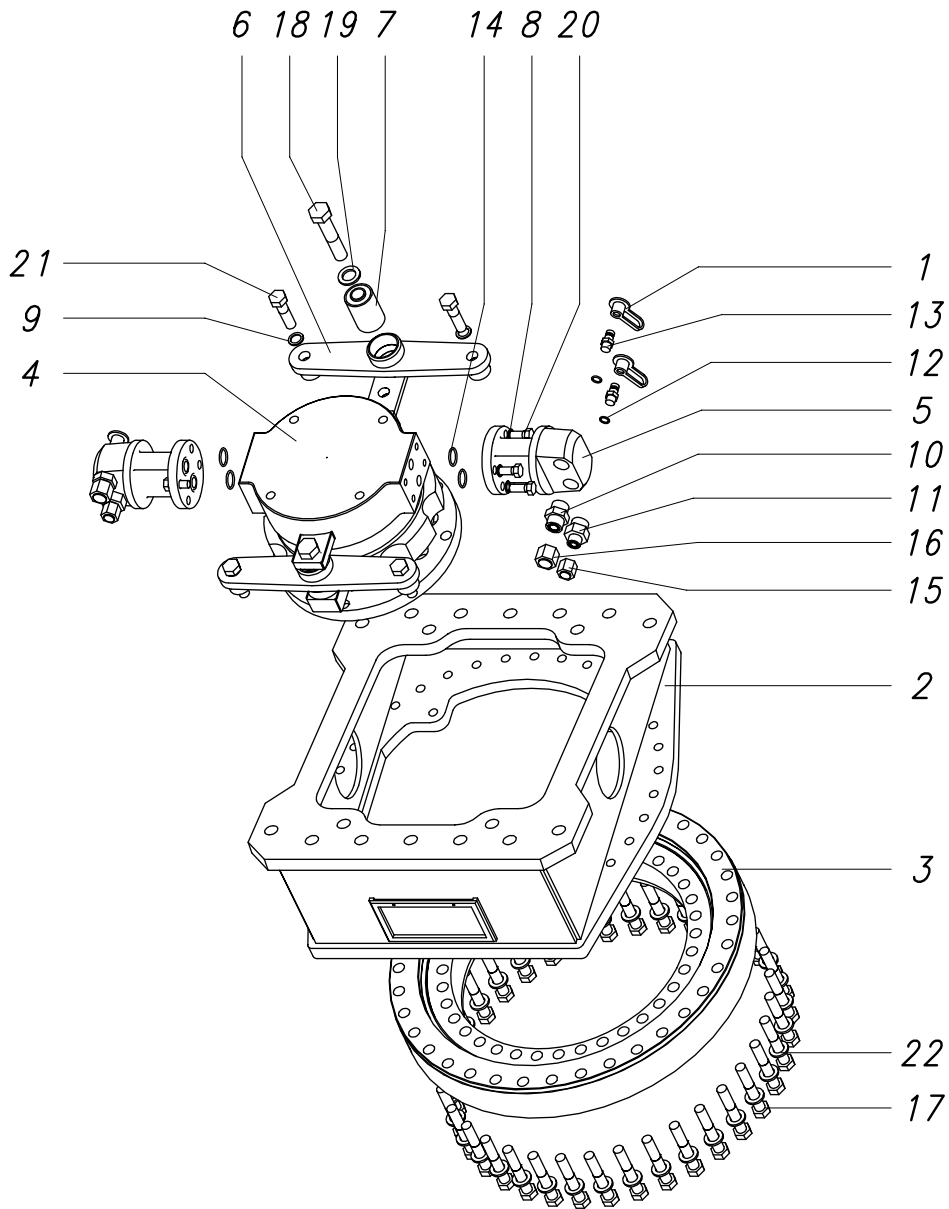


HOUSING GP UPPER

VRG-25/2

08/02

030.1401



SERIAL/ITEM No.
220-8526

STRUCTURAL COMPONENTS

TYPE

DATE

PAGE

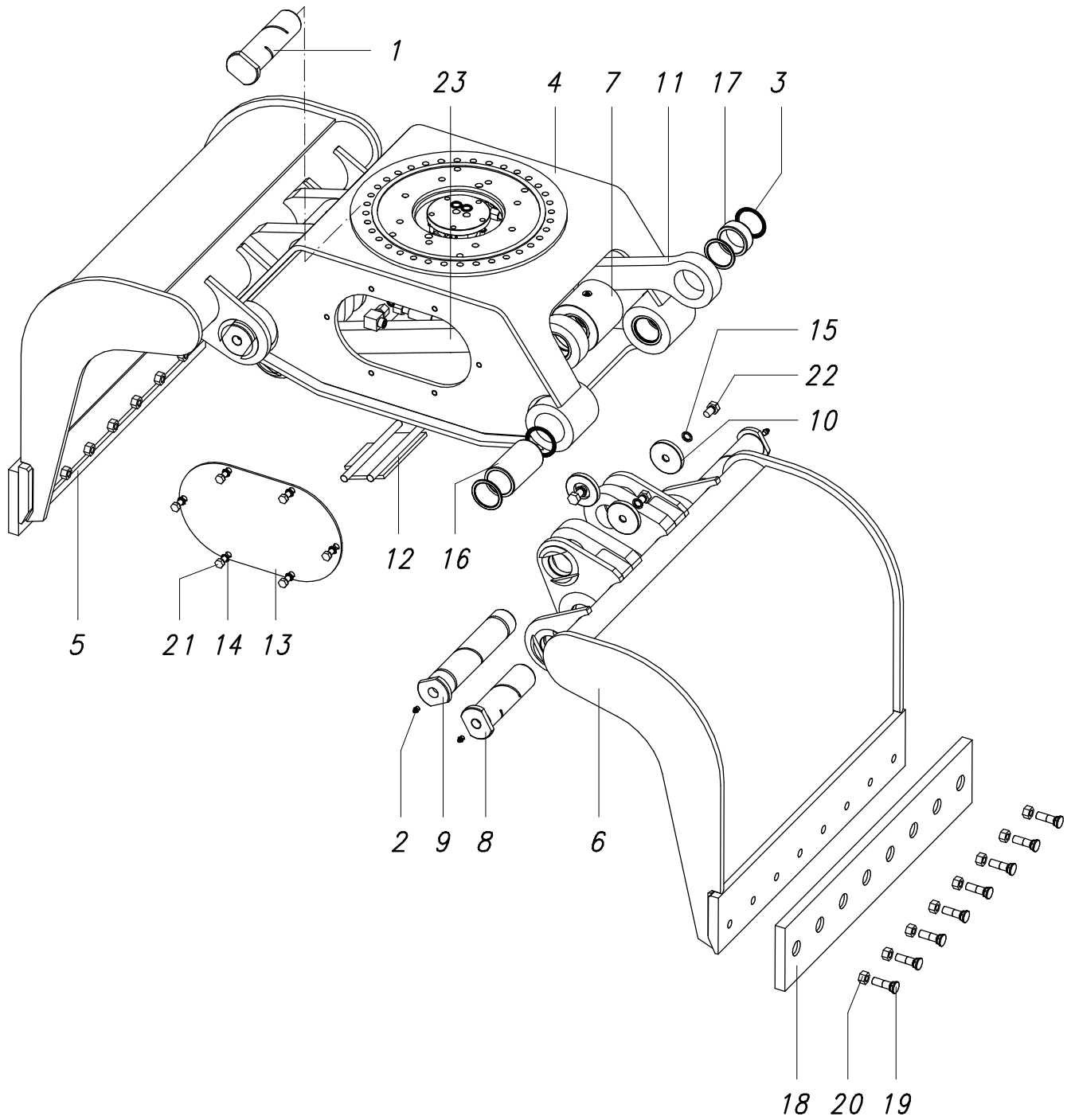


HOUSING GP-R

VRG-25/2

06/02

040.1400



SERIAL NO.

220-8526

STRUCTURAL COMPONENTS

TYPE

DATE

PAGE

HOUSING GP-R

VRG-25/2

06/02

040.1400

P O O	part number	description	Q T Y	remarks/dimensions
1	222-4583	PIN	1	
2	5W-2817	LUBRICATING NIPPLE	6	M10x1 180°
3	093-1434	SEAL-LIP	16	
4	195-0222	HOUSING AS.	1	
5	220-8522	SHELL AS. LEFT	1	
6	220-8503	SHELL AS. RIGHT	1	
7	220-8507	CYLINDER GP & LINES	1	See Page 05
8	222-4584	PIN	4	
9	222-4585	PIN	2	
10	222-4600	PLATE	7	
11	222-4582	PUSH BAR LEFT	1	
12	222-4592	COVER AS.	1	
13	225-8710	COVER	2	
14	159-1119	LOCKWASHER	12	12H
15	159-1121	LOCKWASHER	7	16H
16	225-5339	BUSHING	4	ZF0-P 70x85x125
17	223-5645	BUSHING	4	ZF0-P 70x85x40
18	223-5605	EDGE	2	
19	3F-5108	BOLT	20	5/8"x2
20	4K-0367	NUT	20	5/8"
21	8T-4192	BOLT	12	M12x25 10.9
22	8T-4190	BOLT	7	M16x25 10.9
23	225-8709	PUSH BAR RIGHT	1	

SERIAL NO.

220-8524

STRUCTURAL COMPONENTS

TYPE

DATE

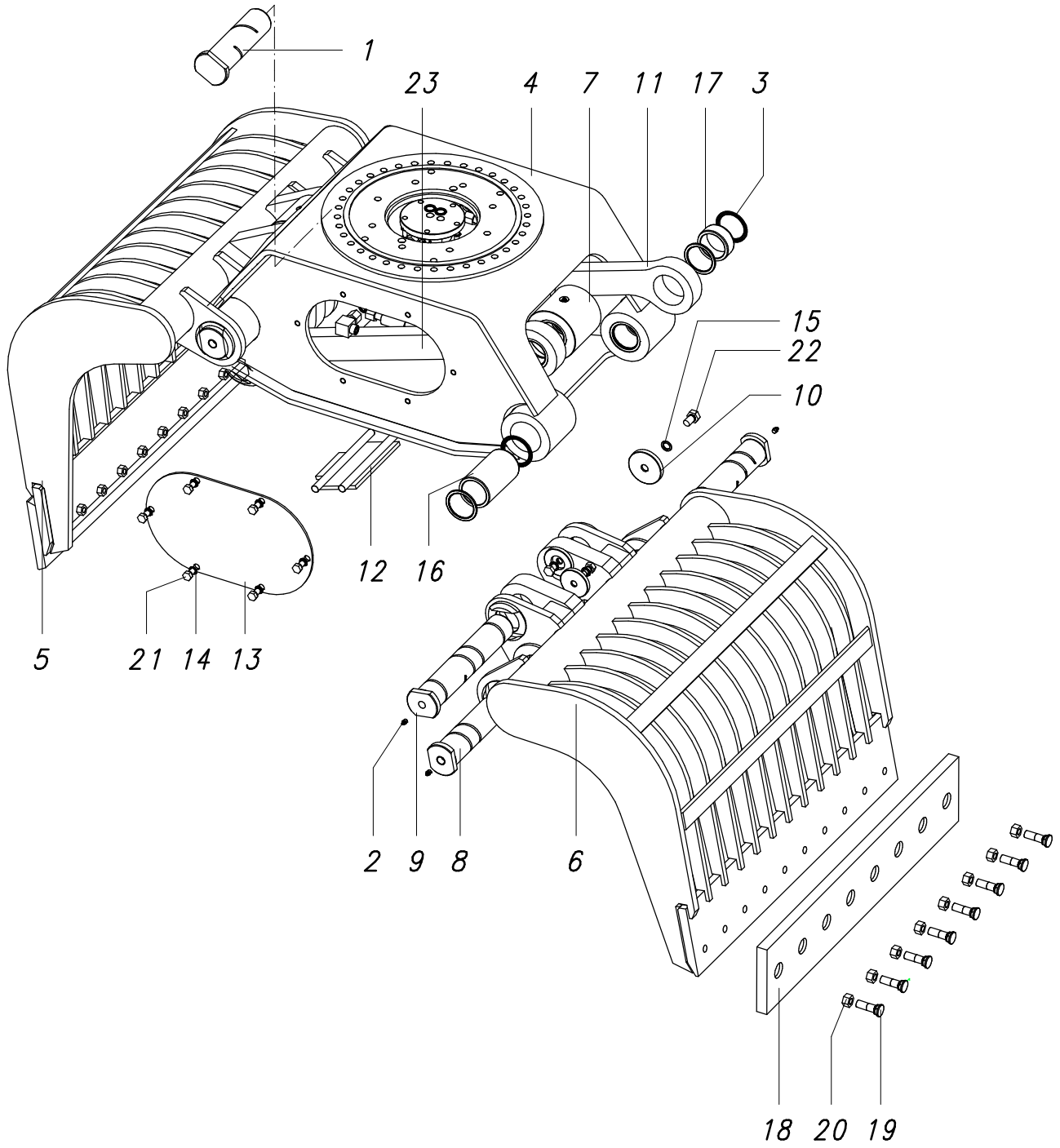
PAGE

HOUSING GP-D

VRG-25/2

08/02

045.1401



SERIAL NO. 220-8524	STRUCTURAL COMPONENTS										TYPE	DATE	PAGE
	HOUSING GP-D										VRG-25/2	08/02	045.1401

P O O	part number	description	Q T Y	remarks/dimensions
1	222-4583	PIN	1	
2	5W-2817	LUBRICATING NIPPLE	6	M10x1 180°
3	093-1434	SEAL-LIP	16	
4	195-0222	HOUSING AS.	1	
5	195-0220	SHELL AS. LEFT	1	
6	195-0219	SHELL AS. RIGHT	1	
7	220-8507	CYLINDER GP & LINES	1	See Page 050
8	222-4584	PIN	4	
9	222-4585	PIN	2	
10	222-4600	PLATE	7	
11	222-4582	PUSH BAR LEFT	1	
12	222-4592	COVER AS.	1	
13	225-8710	COVER	2	
14	159-1119	LOCKWASHER	12	12H
15	159-1121	LOCKWASHER	7	16H
16	225-5339	BUSHING	4	ZF0-P 70x85x125
17	223-5645	BUSHING	4	ZF0-P 70x85x40
18	223-5605	EDGE	2	
19	3F-5108	BOLT	20	5/8"x2
20	4K-0367	NUT	20	5/8"
21	8T-4192	BOLT	12	M12x25 10.9
22	8T-4190	BOLT	7	M16x25 10.9
23	225-8709	PUSH BAR RIGHT	1	

SERIAL/ITEM No.
220-8526

STRUCTURAL COMPONENTS

TYPE

DATE

PAGE

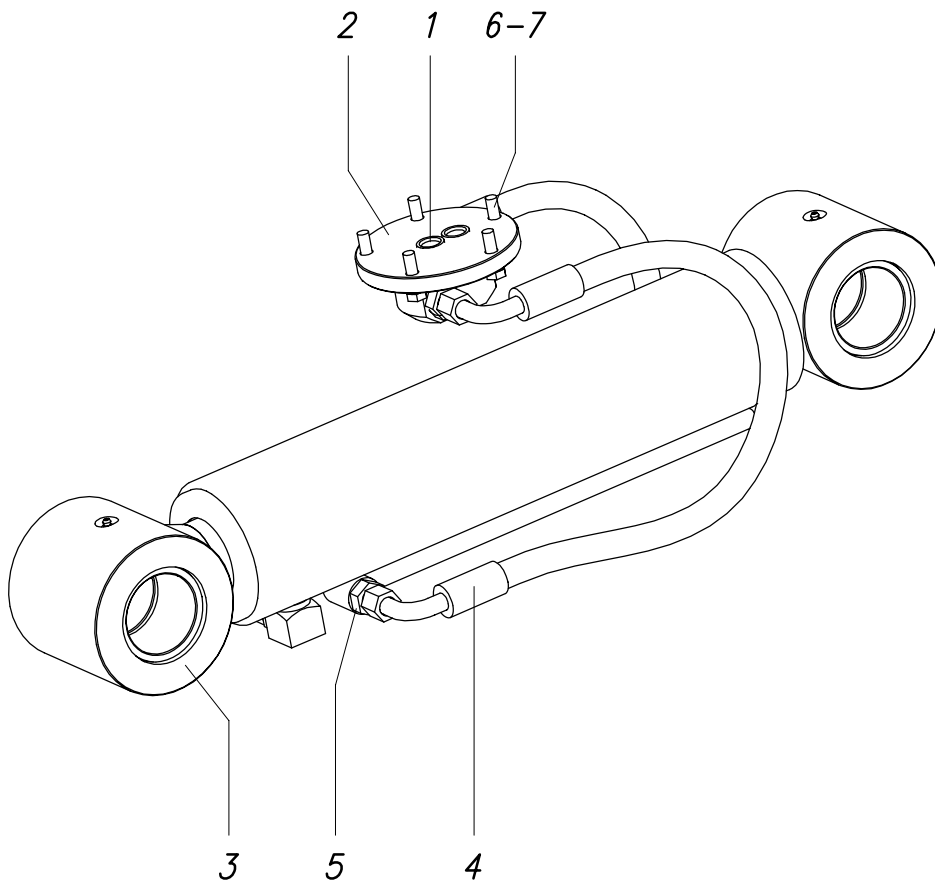


CYLINDER GP & LINES

VRG-25/2

06/02

050.1400



SERIAL/ITEM No.
220-8526

STRUCTURAL COMPONENTS

TYPE

DATE

PAGE



CYLINDER GP & LINES

VRG-25/2

06/02

050.1400

P O S	part number	description	Q T Y	remarks/dimensions
1	197-7334	SEAL	2	
2	223-5817	HYDRAULIC BLOCK	1	
3	224-0188	CYLINDER GP	1	See Page 060
4	223-4278	HOSE AS.	2	-08 ORFS
5	155-8994	ADAPTER AS.	4	-08 ORFS > G1/2
6	159-1118	LOCKWASHER	5	10H
7	8T-4196	BOLT	5	M10x35 10.9

SERIAL/ITEM No.
220-8526

STRUCTURAL COMPONENTS

TYPE

DATE

PAGE

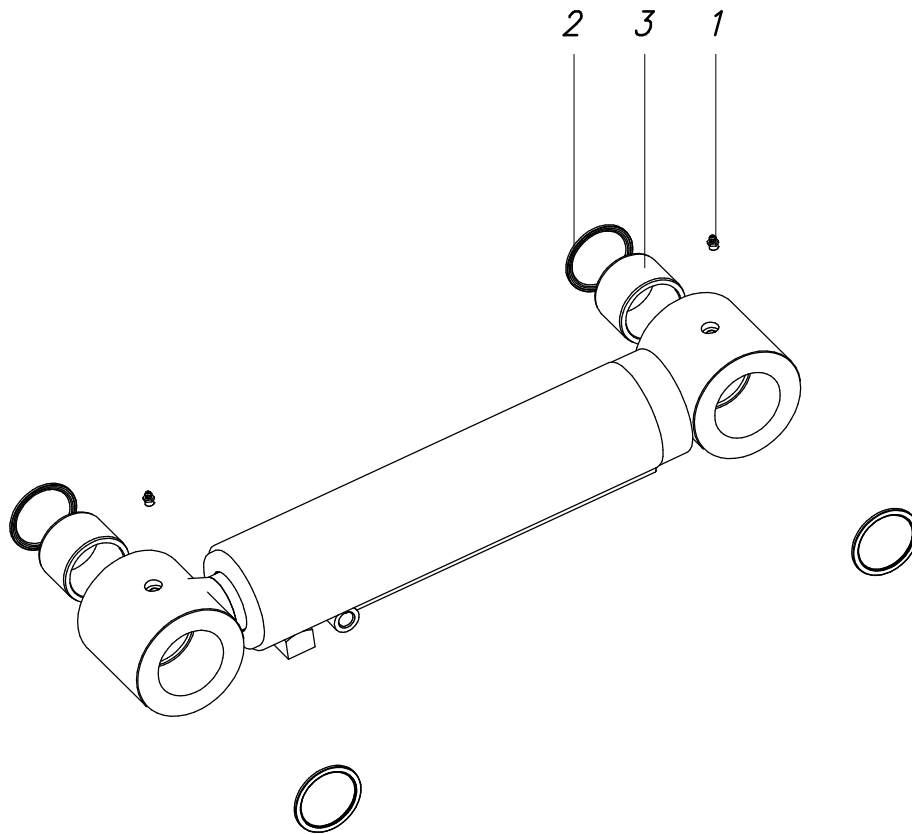


CYLINDER GP

VRG-25/2

06/02

060.1400



SERIAL/ITEM NO.
220-8526

STRUCTURAL COMPONENTS

TYPE

DATE

PAGE



CYLINDER GP

VRG-25/2

06/02

060.1400

P O S	part number	description	Q T Y	remarks/dimensions
1	5W-2817	FITTING	2	
2	093-1434	SEAL LIP	4	
3	225-5339	BUSHING	2	
4	225-4075	SEAL KIT	1	