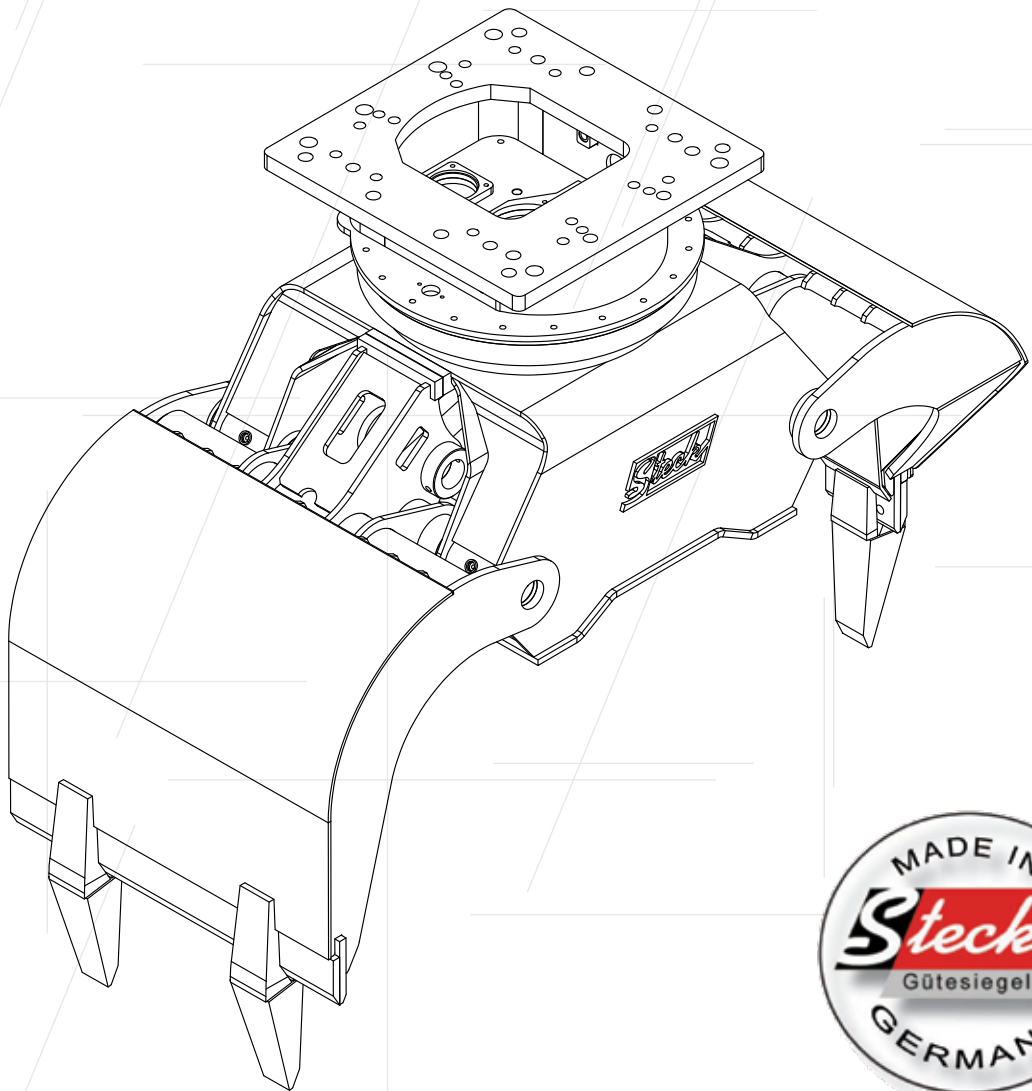


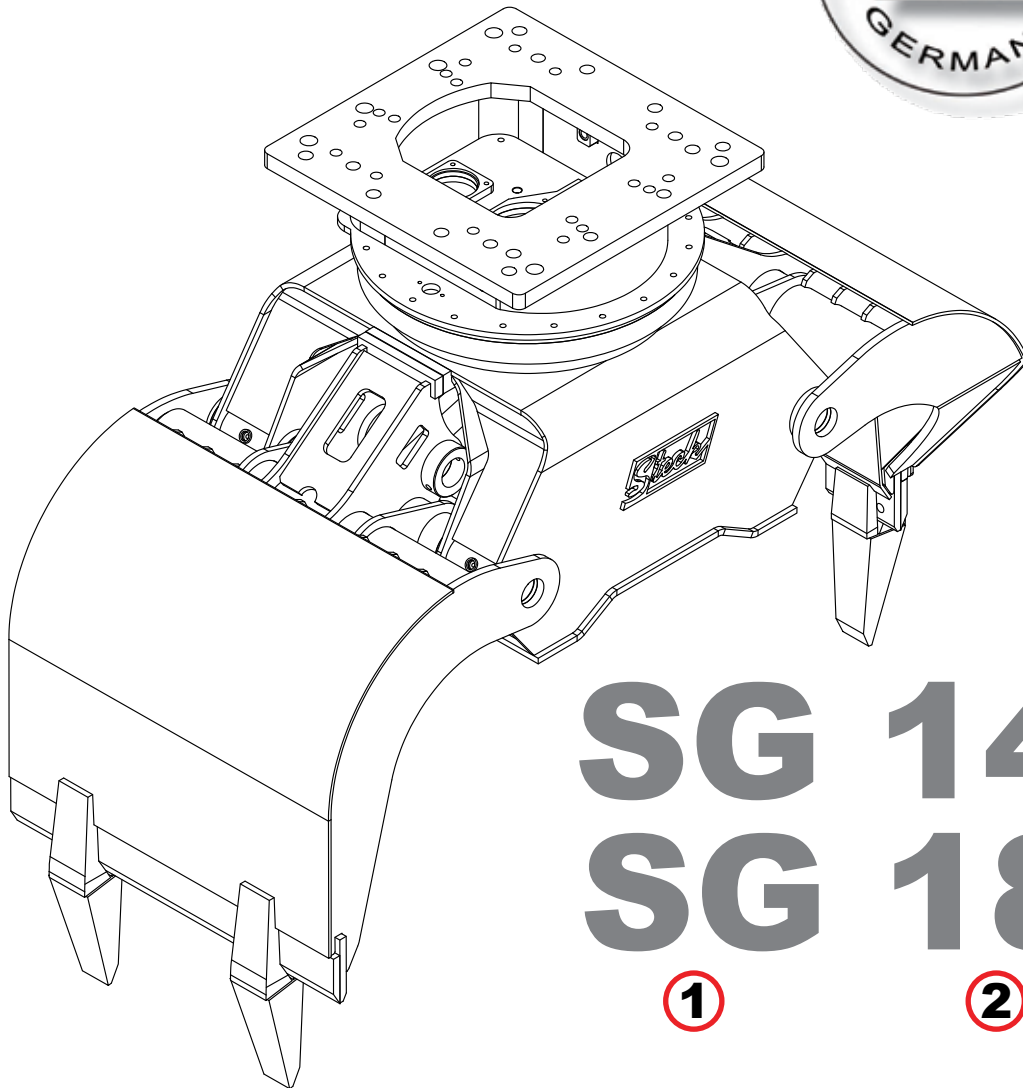


Stone grab



Demolition technique made by Steck:

Innovative technique with well thought out type designation



1 Abbreviation type of device, first letter of english term: Stone **G**rab (Steingreifer)

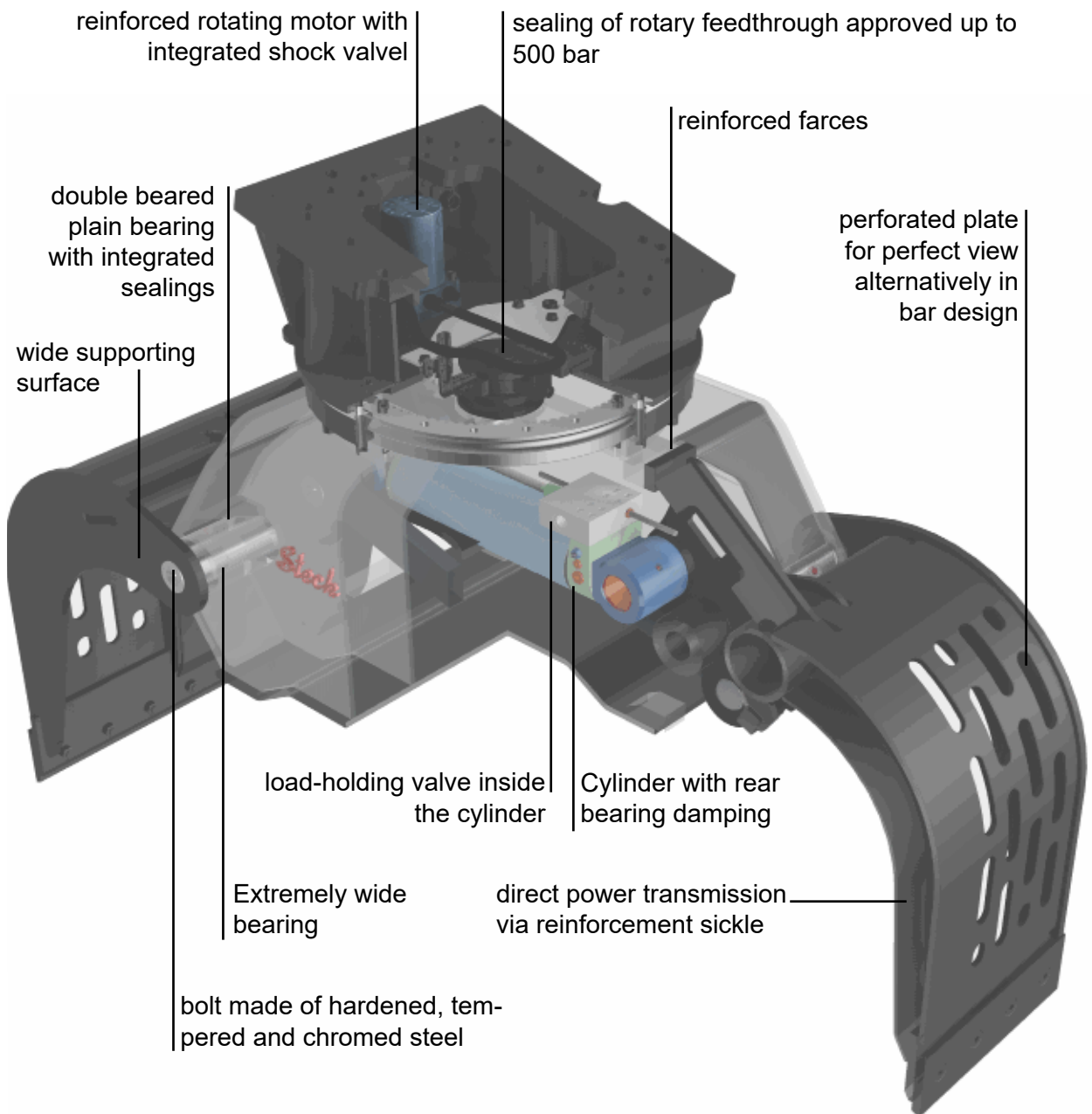
2 Net weight in tons, multiplied by 10, rounded

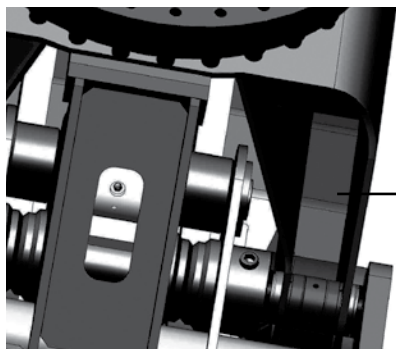
Easy handling

- low net weight
- high closing force

Easy maintenance

- Lubrication with change of position
- grab completely made of high- quality materials





Housing made of high-quality steel in torsion resistant case.

Completely closed unit made of high-strength wear-resistant steel

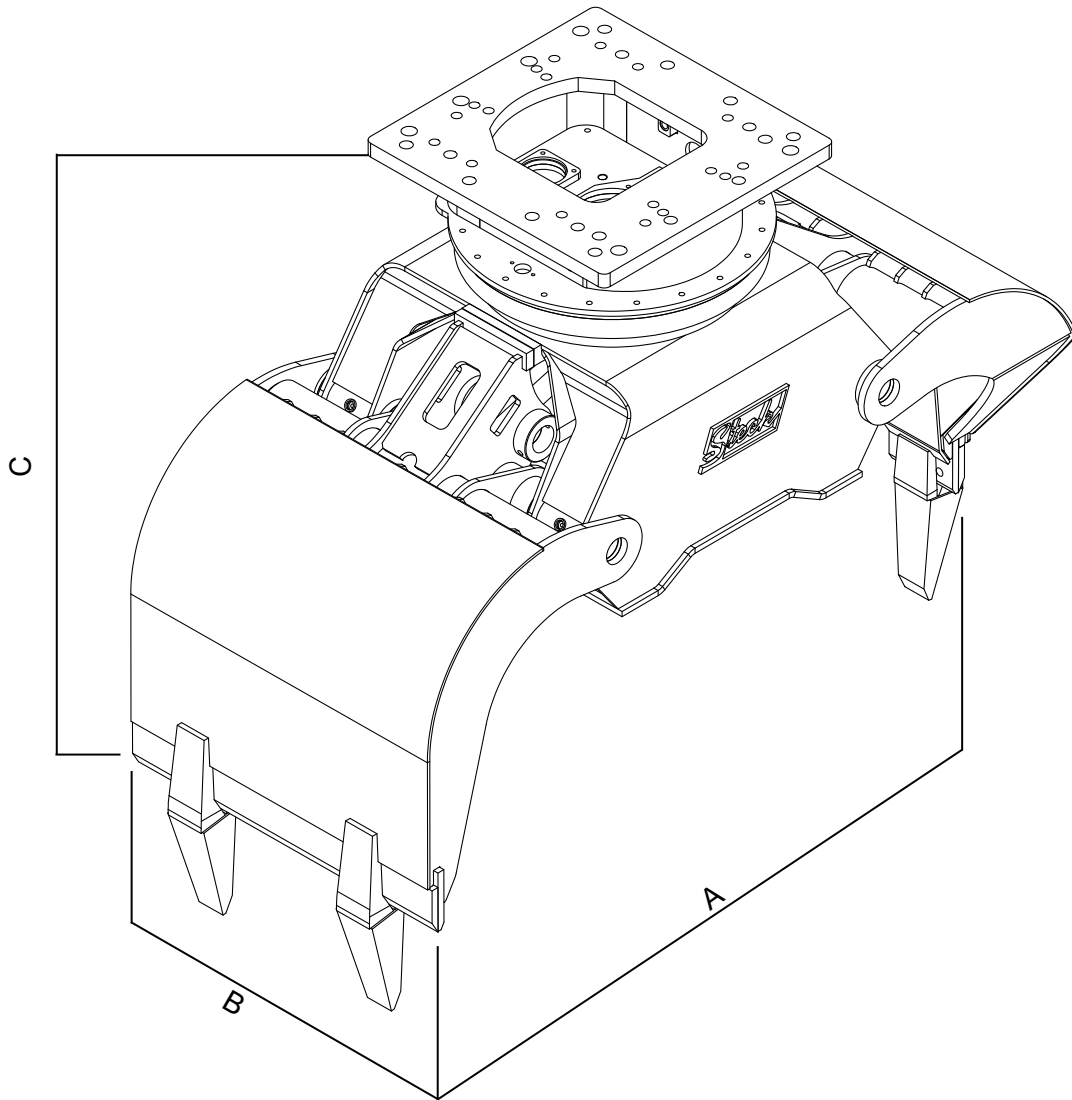


Specific grab for special applications

- laying stones:
attach teeth for save laying of stones
and save use in quarries.



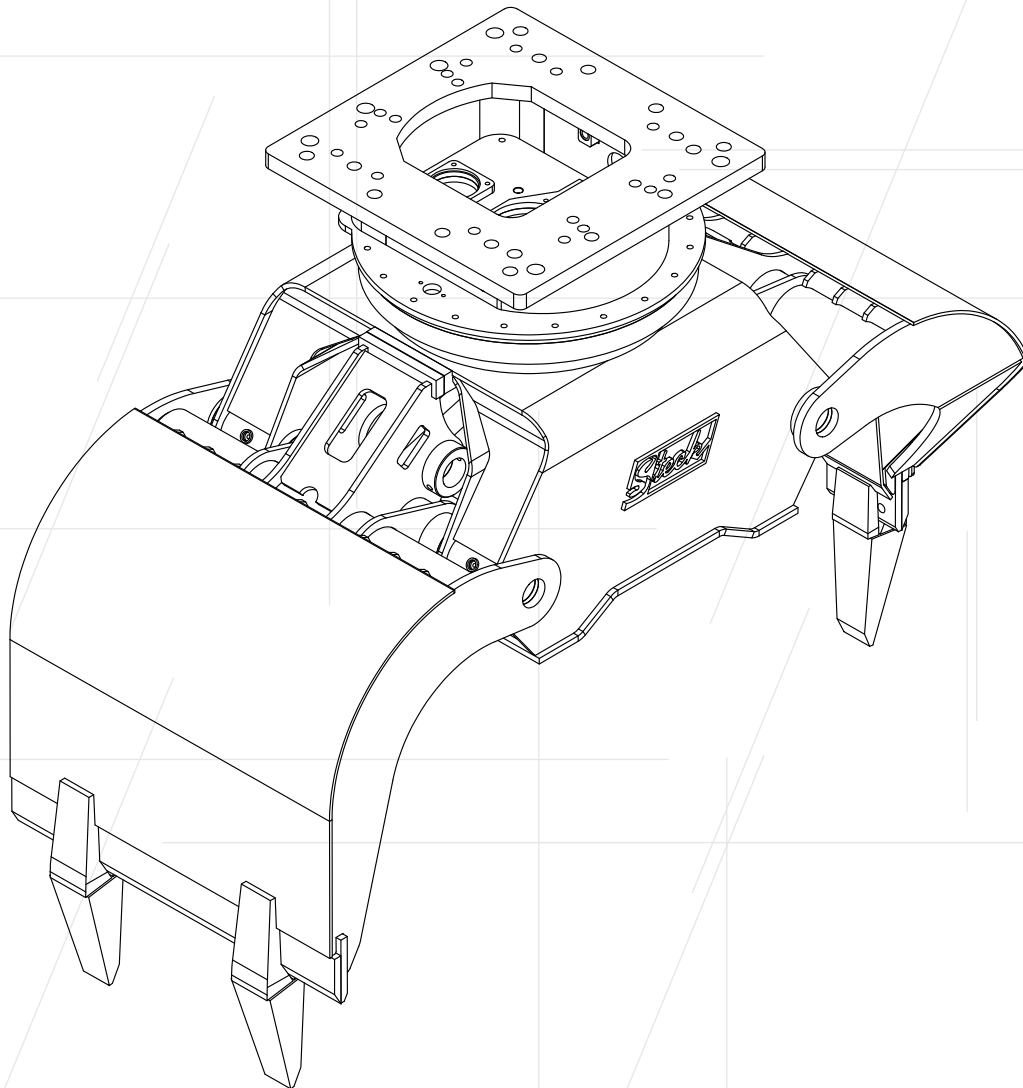
Stone grab



Technical details	SG14	SG18
operating weight (t)	17 - 26	20 - 34
weight without head plate(kg)	1.280	1.670
closing force in (kN)	55	64
jaw content (l)	500	640
A - opening (mm)	2.000	2.200
B - cutting width (mm)	950	1.000
C - height (mm)	1.820	1.830
flow (l/min)	65	72
flow rotation (l/min)	30	30
opening / closing P ^{max} (bar)	350	350
rotation P ^{max} (bar)	140	140







Steck Abbruchgeräte GmbH
Hauptstr. 20
D- 89192 Rammingen

place of jurisdiction: Ulm/Donau HRB 726131
VAT- ID No.: DE275269830
phone +49 (0) 7345 9123 - 0
fax +49 (0) 7345 9123 - 20
mail info@steck.de
internet www.steck.de

your contact person:

Empty dashed box for contact person information.