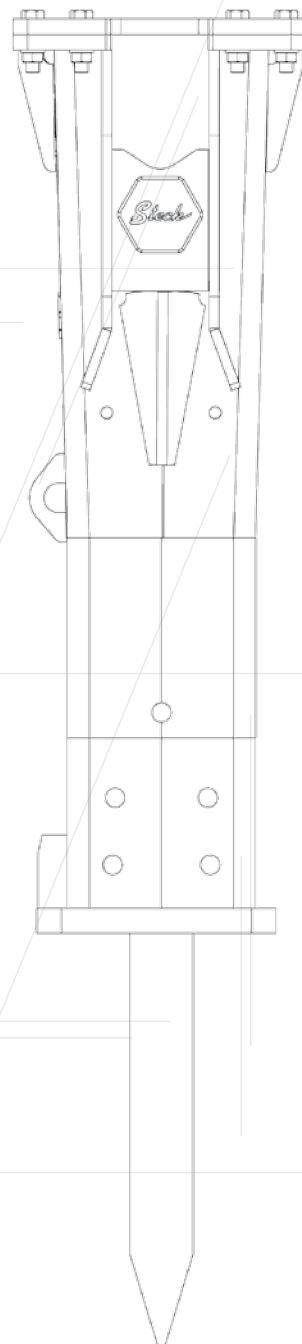
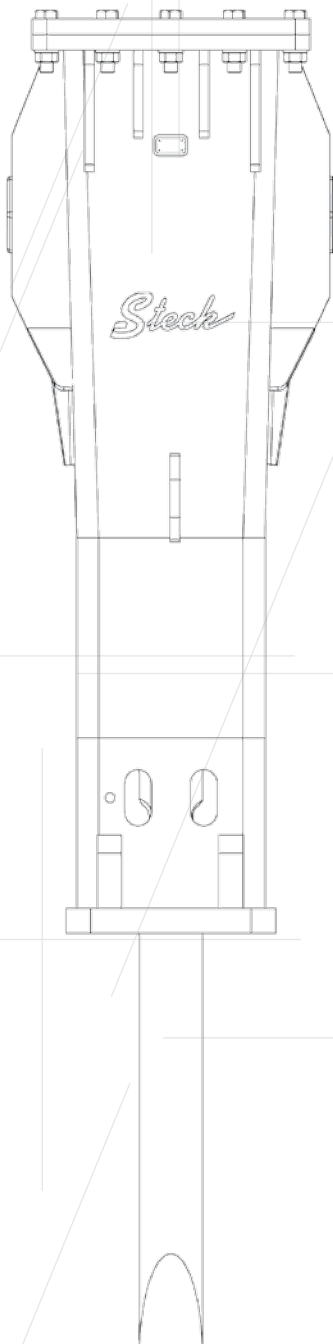


Chisel Tipps



Chisel Tipps

You have the choice: For every work the perfect chisel!

Moil point

for sandstone and less metamorphic rock;
concrete and
for hard and abrasive ground,
breaking of brittle materials



Moil point – pyramid tip

universal use at demolition
works and in quarry
crushing of slag in steelwork
(industrial use) demolition of foundations
tunneling and other mining operations.



with pyramidal
forged tip

Moil point – X tip

with 4 long, forged dust
grooves for inserting
Ø 110 till 130 mm
universal use at demolition
works and in quarry
demolition of foundations
for especially dust-intensive works





X tip

Flat chisel

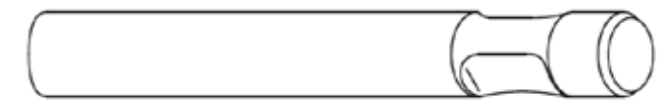
universal use with added
cutting effect digging new trenches
in rocky underground
cutting of big stone slabs



 blade is
across to
excavator
 also available
with 90° offset

Blunt chisel

for volcanic and hard rock
(such as: granite and gneiss),
breaking of boulders



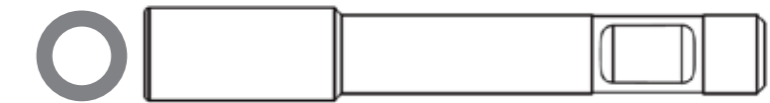
Elephant foot

smashing of reinforced concrete surface
shredding of boulders in quarry
soil compaction



Bell chisel

for pursuing of piles and pipes



Chisel G type

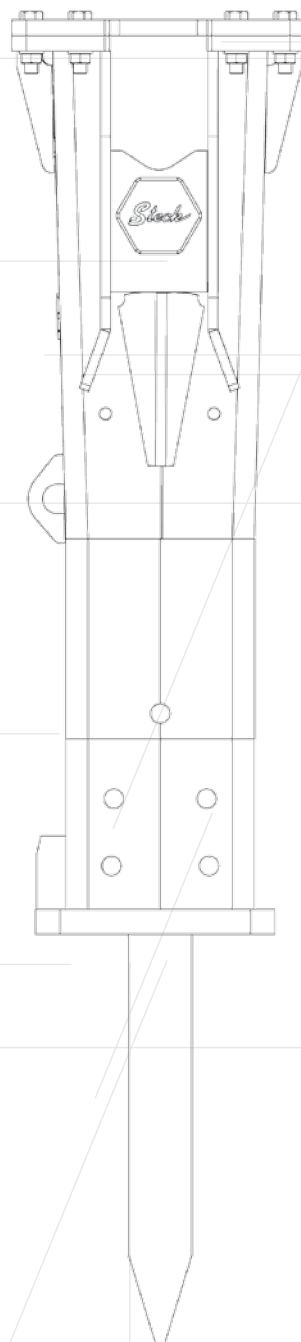
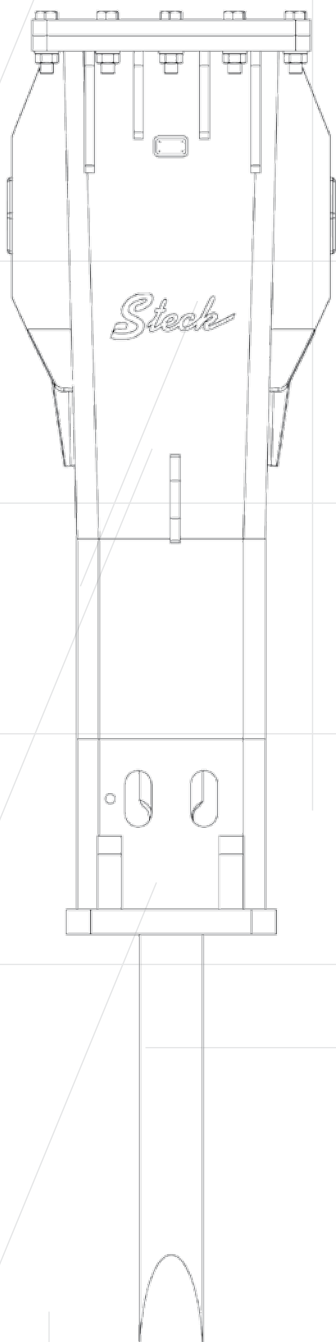
the sharp tip shreds and
due to the air ducts the
dust removes



Super Chisel tip

for soft rock,
if there are backfires





Steck Abbruchgeräte GmbH
Hauptstr. 20
D- 89192 Rammingen

place of jurisdiction: Ulm/Donau HRB 726131
VAT- ID No.: DE275269830
phone +49 (0) 7345 9123 - 0
fax +49 (0) 7345 9123 - 20
mail info@steck.de
internet www.steck.de

your contact person:

Empty dashed box for contact person information.