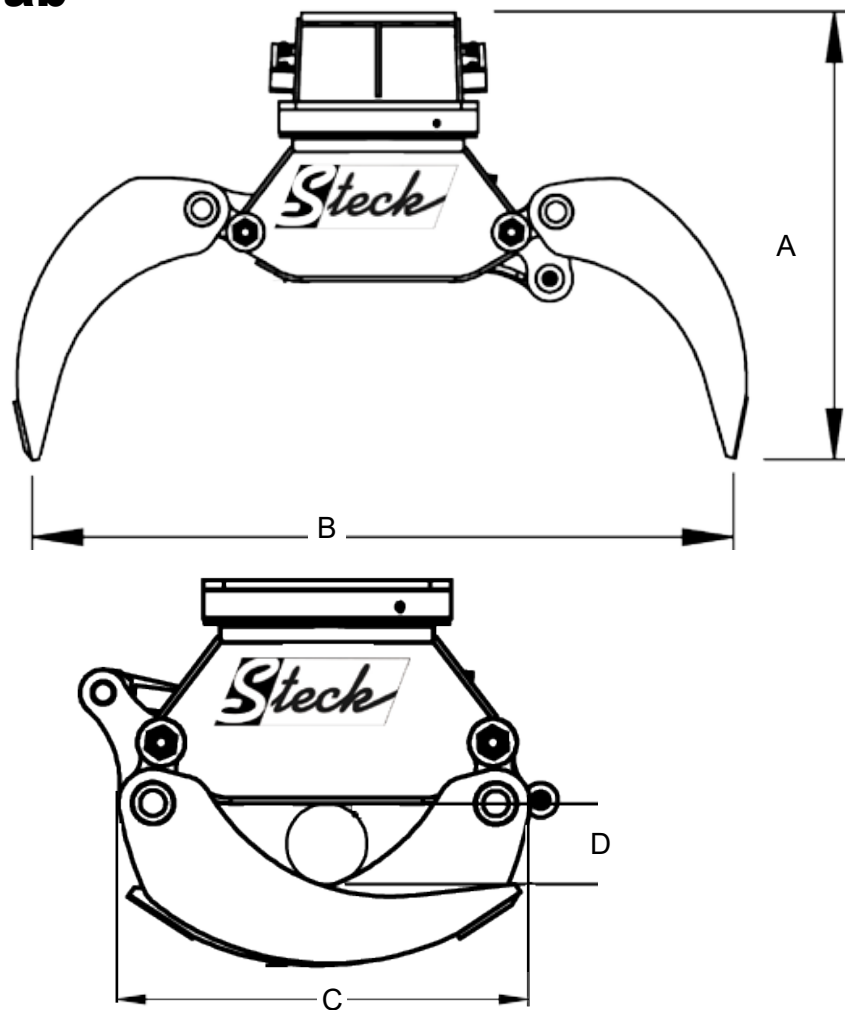




Wood grab



Wood grab



Technical details	G10 Wood grab	G13 Wood grab
operating weight (t)	12 - 20	17 - 28
weight (kg)	1.000	1.500
closing force in (kN)	46	68
jaw content (l)	240	500
load capacity		
A height open(mm)	1.170	1.460
B width open (mm)	2.050	2.250
C width close(mm)	1.340	1.550
D smallest Ø (mm)	125	200
shells width (mm)	735	910
shells width narrower (mm)	635	810
flow opening/ closing(l/min)	120	160
flow rotation (l/min)	25	35
opening / closing Pmax (bar)	350	350
rotation (bar)	190 - 210	190 - 210
noise level (dB(A))	< 70	< 70

Easy handling

- low net weight
- high closing force

Easy maintenance

- Lubrication with change of position
- grab completely made of high- quality materials

Special Grabbs for Specific application

The wood grab is used to record, hard gripping and moving of material. The wood grab is available in swivel or non-swivel design and is due the robust design and reliability for industrial, etc. used.





Steck Abbruchgeräte GmbH
Hauptstr. 20
D- 89192 Rammingen

place of jurisdiction: Ulm/Donau HRB 726131
VAT- ID No.: DE275269830
phone +49 (0) 7345 9123 - 0
fax +49 (0) 7345 9123 - 20
mail info@steck.de
internet www.steck.de

your contact person:

A large, empty rectangular box with a dashed border, intended for the contact person's name and details.