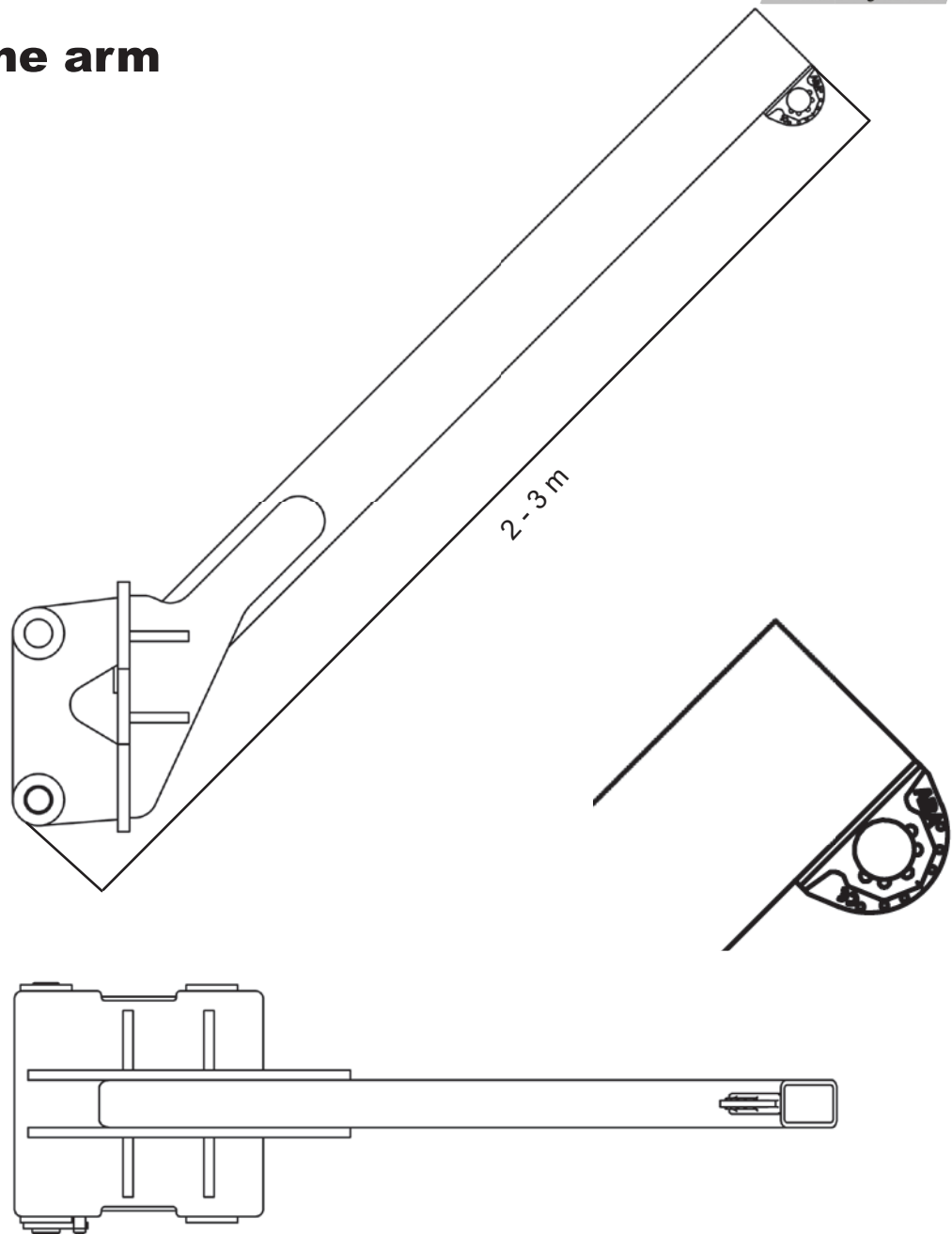


Crane arm



In a few minutes every excavator can be equipped with a KTH crane arm. This combination is helpful for internal and external loading and unloading activities.

Note

For an optimal use the sustainability of the machine has to conform to performance data of the excavator.

| | |
|------------------------------|--------------|
| load capacity | 2.500 kg. |
| at maximal length of 3000 mm | 1.500 kg. |
| bulk | 300- 400 kg. |