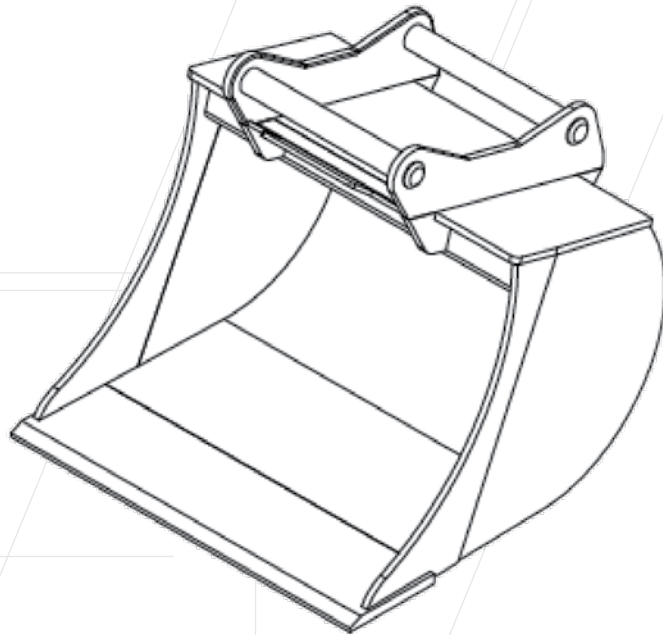
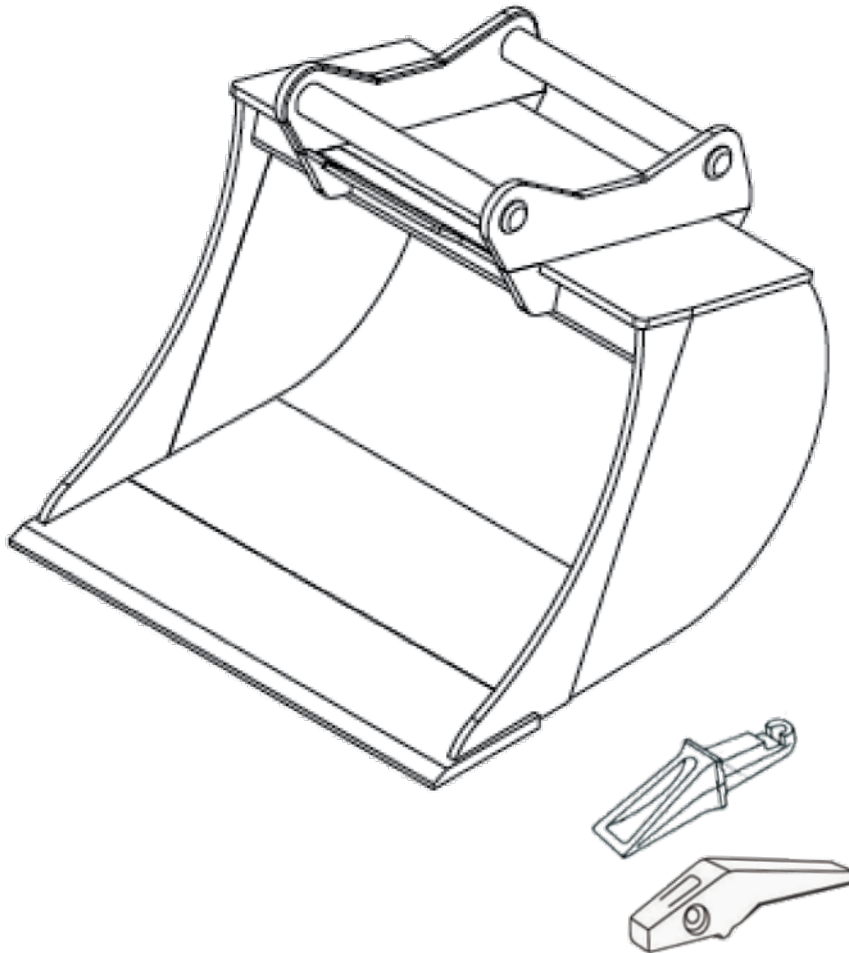




Rock backhoes



Rock backhoes



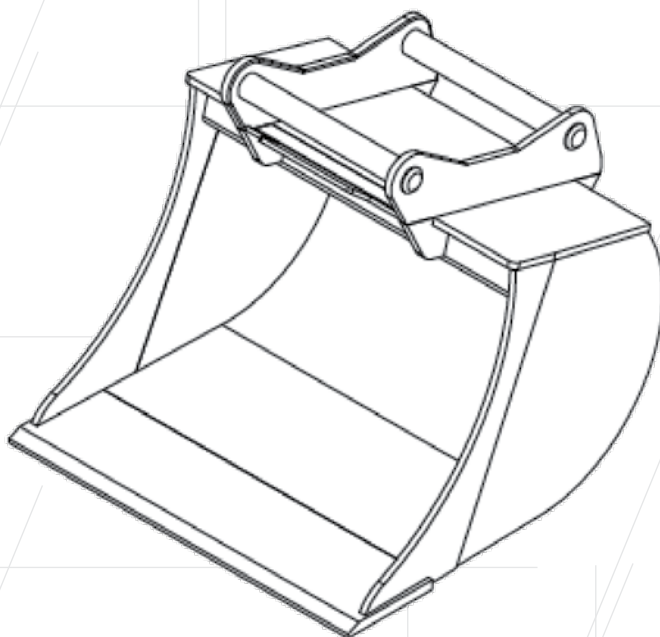
Manufacturing features:

- Delta cutting HB400.
- Wear parts made of HB400 additionally on the side plates.
- Side protectors made of HB500.
- Standard tooth system.
- Recording intensified.
- Inner sickle for extra reinforcement.
- Custom-made specifically to customer requirements is possible.

Application

- Inserts with high breakaway, driftout and tearing forces
- For lifting and loading of hard soil and rock.

specific name	operating weight at t	cut width at mm	bridge distance at mm	teeth	cutter of Hardox 400 at mm	content
FTL1016-400	10 - 16	400	20	3	200 x 25	208
FTL1016-700	10 - 16	700	20	4	200 x 25	387
FTL1016-1000	10 - 16	1.000	20	5	200 x 25	565
FTL1521-800	15 - 21	800	25	4	300 x 30	750
FTL1521-1000	15 - 21	1.000	25	5	300 x 30	990
FTL1521-1100	15 - 21	1.100	25	5	300 x 30	1.000
FTL1521-1200	15 - 21	1.200	25	5	300 x 30	1.183
FTL1521-1500	15 - 21	1.500	25	6	300 x 30	1.500
FTL2026-600	20 - 26	600	30	3	300 x 35	572
FTL2026-800	20 - 26	800	30	4	300 x 35	801
FTL2026-1000	20 - 26	1.000	30	4	300 x 35	1.050
FTL2026-1100	20 - 26	1.100	30	5	300 x 35	1.144
FTL2026-1200	20 - 26	1.200	30	5	300 x 35	1.260
FTL2026-1400	20 - 26	1.400	30	5	300 x 35	1.487
FTL2026-1500	20 - 26	1.500	30	6	300 x 35	1.602
FTL2026-1600	20 - 26	1.600	30	6	300 x 35	1.716
FTL2532-600	25 - 32	600	30	3	300 x 50	593
FTL2532-750	25 - 32	750	30	3	300 x 50	772
FTL2532-1000	25 - 32	1.000	30	4	300 x 50	1.069
FTL2532-1500	25 - 32	1.500	30	6	300 x 50	1.662
FTL2532-1700	25 - 32	1.700	30	6	300 x 50	1.900
FTL3039-800	30 - 39	800	30	4	300 x 50	855
FTL3039-1000	30 - 39	1.000	30	4	300 x 50	1.120
FTL3039-1200	30 - 39	1.200	30	4	300 x 50	1.441
FTL3039-1300	30 - 39	1.300	30	5	300 x 50	1.689
FTL3039-1500	30 - 39	1.500	30	5	300 x 50	1.937
FTL3039-1600	30 - 39	1.600	30	6	300 x 50	2.187
FTL3039-1800	30 - 39	1.800	30	6	300 x 50	2.438
FTL3039-1900	30 - 39	1.900	30	6	300 x 50	2.600
FTL3039-2000	30 - 39	2.000	30	7	300 x 50	2.768
FTL3850-1200	38 - 50	1.200	35	3	400 x 60	1.900
FTL3850-1400	38 - 50	1.400	35	4	400 x 60	2.200
FTL3850-1600	38 - 50	1.600	35	4	400 x 60	2.550
FTL3850-1800	38 - 50	1.800	35	5	400 x 60	2.850
FTL3850-2000	38 - 50	2.000	35	5	400 x 60	3.160
FTL3850-1200	38 - 50	1.200	35	3	400 x 60	1.900
FTL3850-1400	38 - 50	1.400	35	4	400 x 60	2.200
FTL3850-1600	38 - 50	1.600	35	4	400 x 60	2.550
FTL3850-1800	38 - 50	1.800	35	5	400 x 60	2.850
FTL3850-2000	38 - 50	2.000	35	5	400 x 60	3.160



Steck Abbruchgeräte GmbH
Hauptstr. 20
D- 89192 Rammingen

place of jurisdiction: Ulm/Donau HRB 726131
VAT- ID No.: DE275269830
phone +49 (0) 7345 9123 - 0
fax +49 (0) 7345 9123 - 20
mail info@steck.de
internet www.steck.de

your contact person:

A large dashed rectangular box intended for the contact person's name and details.