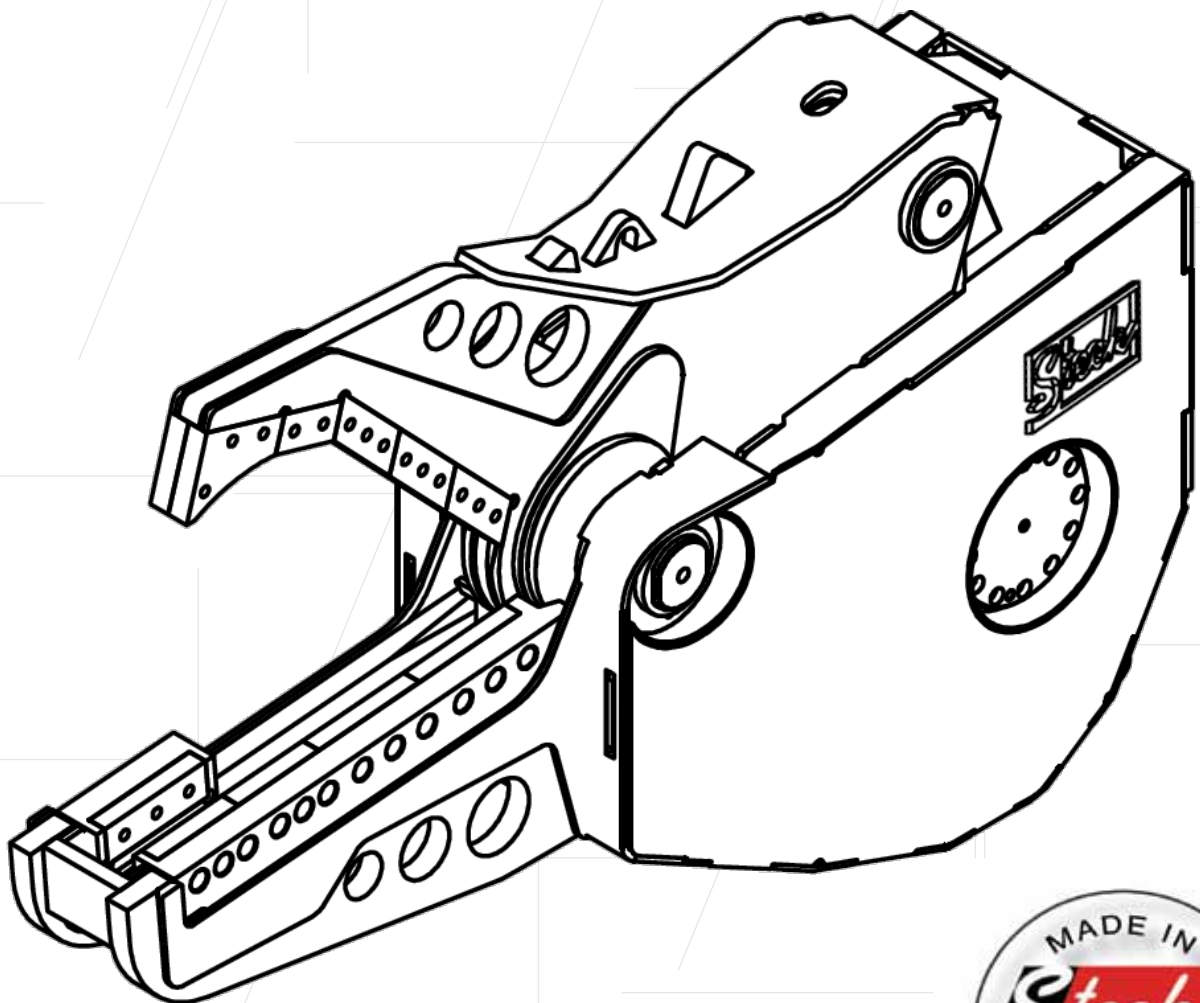


Shear to cut tyre

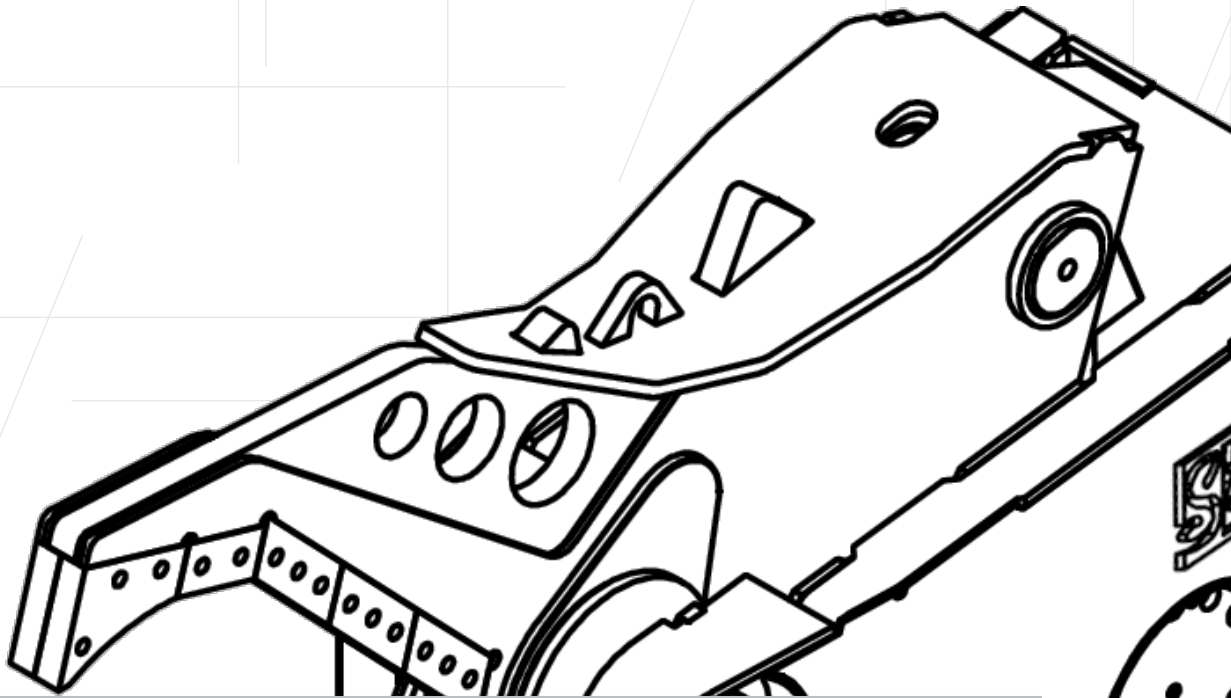


Shear to cut tyre



| Technical details | S32R |
|--|-----------|
| operating weight (t) | 28 - 45 |
| Weight, without slewing ring and slewing gear (kg) | 2.850 |
| overall height (mm) | 2.460 |
| overall width (mm) | 700 |
| C jaw opening (mm) | 696 |
| D jaw depth (mm) | 1.000 |
| overall height (mm) | 330 |
| overall width (mm) | 90 |
| cutting length (mm) | 890 |
| closing force in 1 (t) | 120 |
| closing force in 2 (t) | 165 |
| closing force in 3 (t) | 285 |
| opening / closing P ^{max} (bar) | 350 |
| flow (l/min) | 200 - 500 |
| time opening / closing (sec) | 2,6 - 2,0 |





your contact person:

Steck Abbruchgeräte GmbH
Hauptstr. 20
D- 89192 Rammingen

place of jurisdiction: Ulm/Donau HRB 726131
VAT- ID No.: DE275269830
phone +49 (0) 7345 9123 - 0
fax +49 (0) 7345 9123 - 20
mail info@steck.de
internet www.steck.de