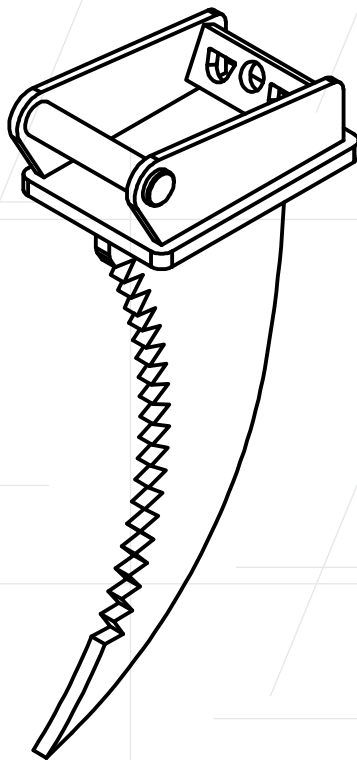
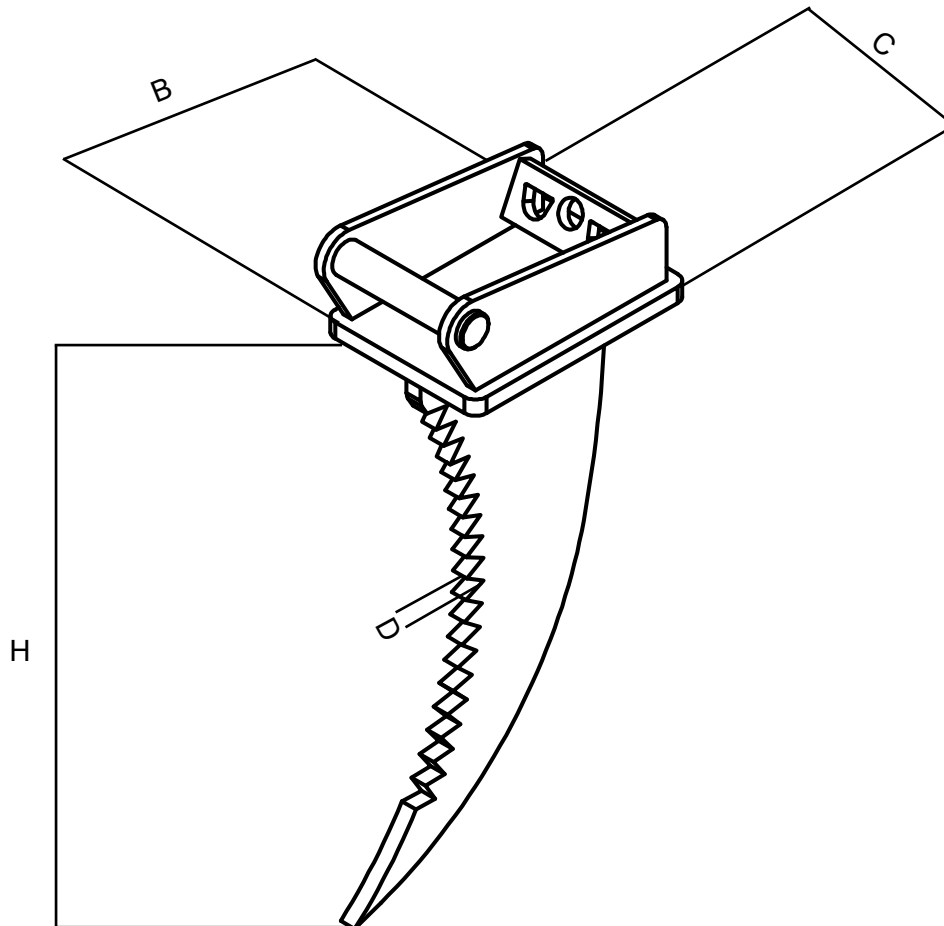




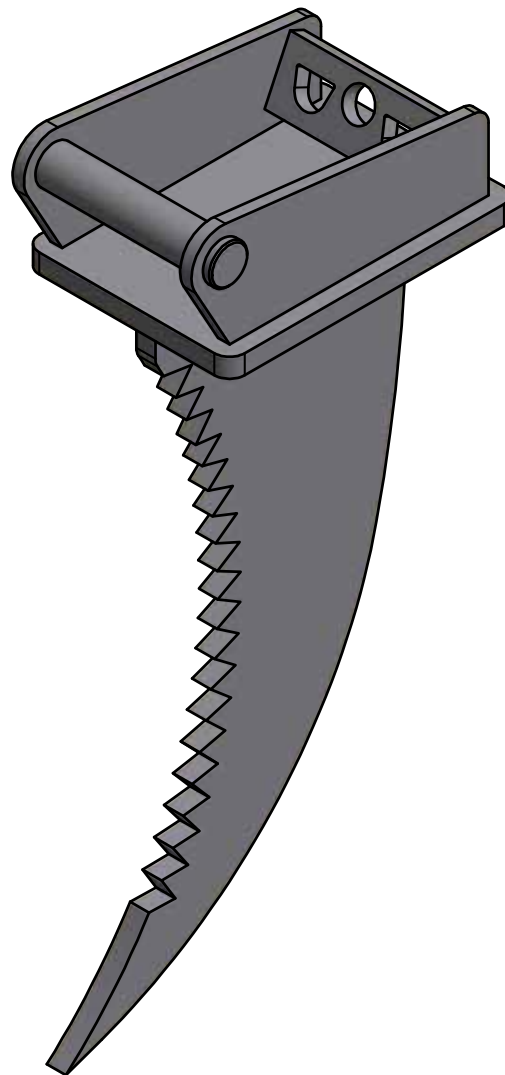
Rodemesser



Uprooting cutting edge



Technical details	RM3	RM5	RM7
operating weight (t)	0,5 - 2,2	1,5 - 5,0	5,0 - 10,0
weight without head plate (kg)	32	50	78
B (mm)	340	380	500
C (mm)	250	270	365
D (mm)	20	25	25
H (mm)	350	410	600

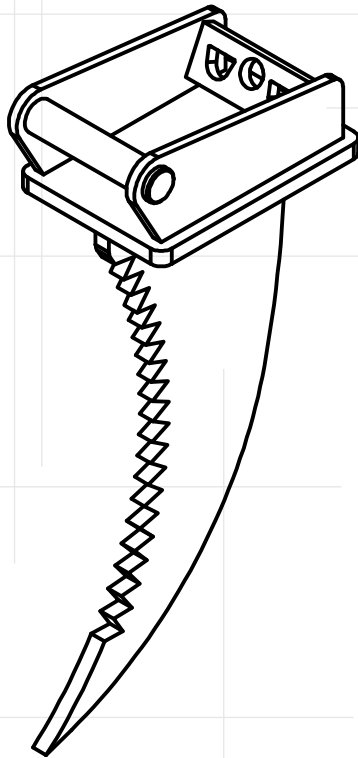


Durable

- highly wear-resistant material

Handling

- for a better test of hedges and roots
- tooth system for saw-like cutting of wood stumps and roots
- also for splitting



your contact person:

Steck Abbruchgeräte GmbH
Hauptstr. 20
D- 89192 Rammingen

place of jurisdiction: Ulm/Donau HRB 726131

VAT- ID No.: DE275269830

phone +49 (0) 7345 9123 - 0

fax +49 (0) 7345 9123 - 20

mail info@steck.de

internet www.steck.de