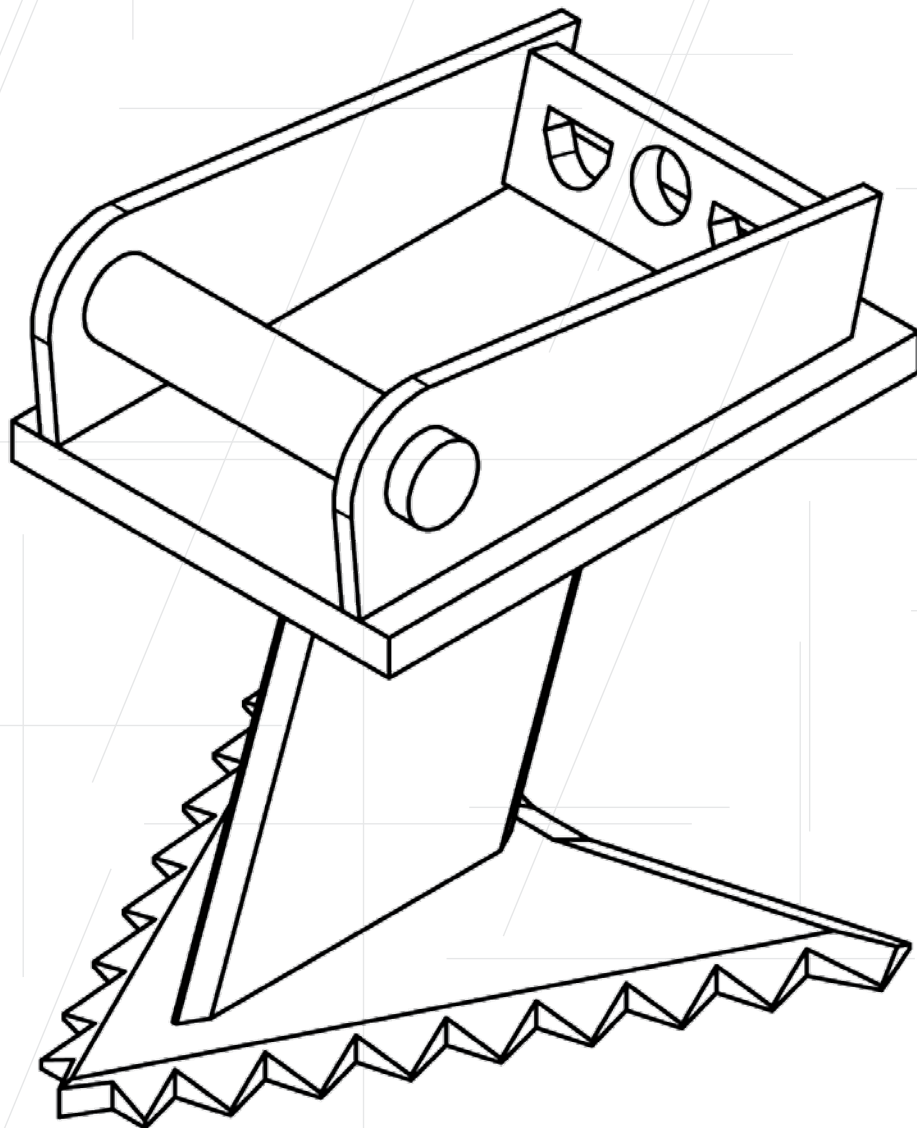
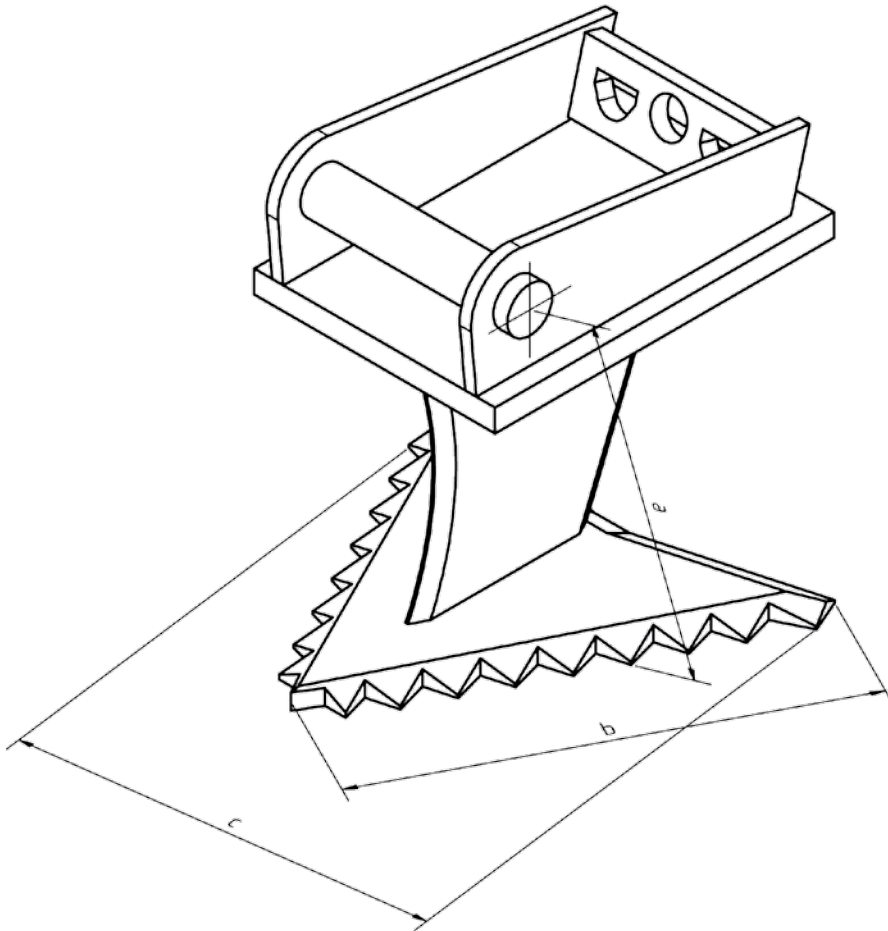


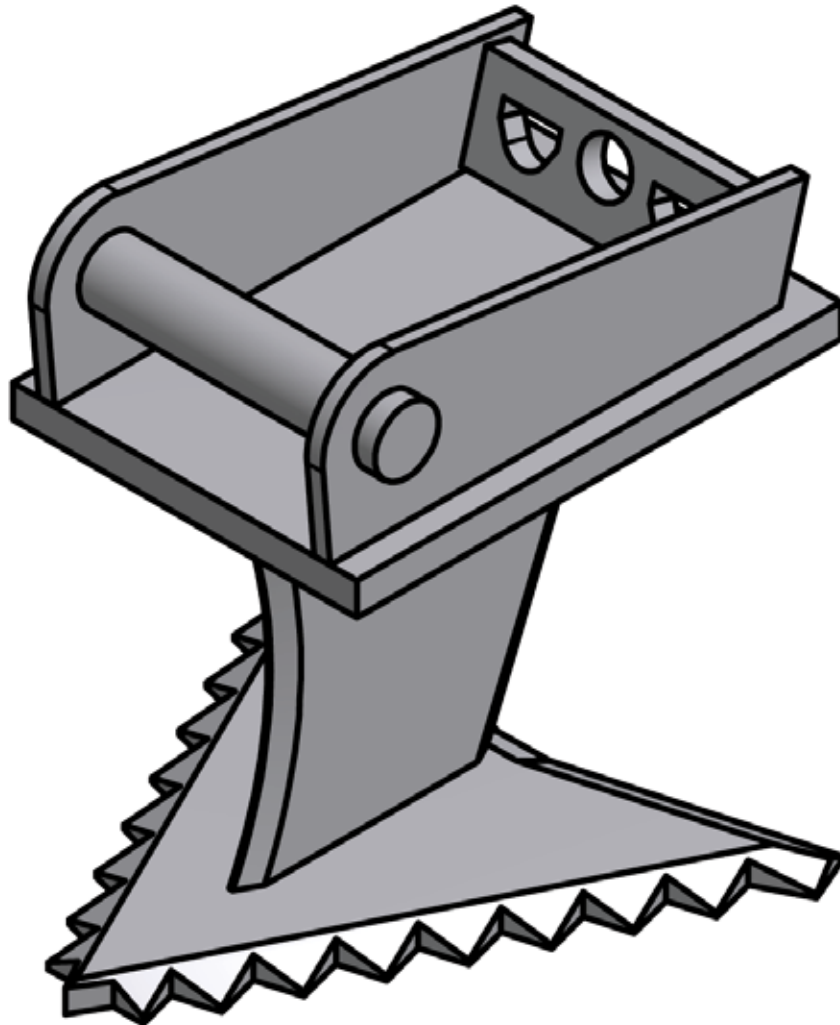
Digger



Digger



Technical details	RP3 MS01	RP5 MS03
operating weight (t)	0,5 - 2,2	1,5 - 5,0
weight with head plate(kg)	38,9	55
A total high (mm)	350	410
B cut deep (mm)	300	410
C cutting wide (mm)	300	431
fitting wide	180	200

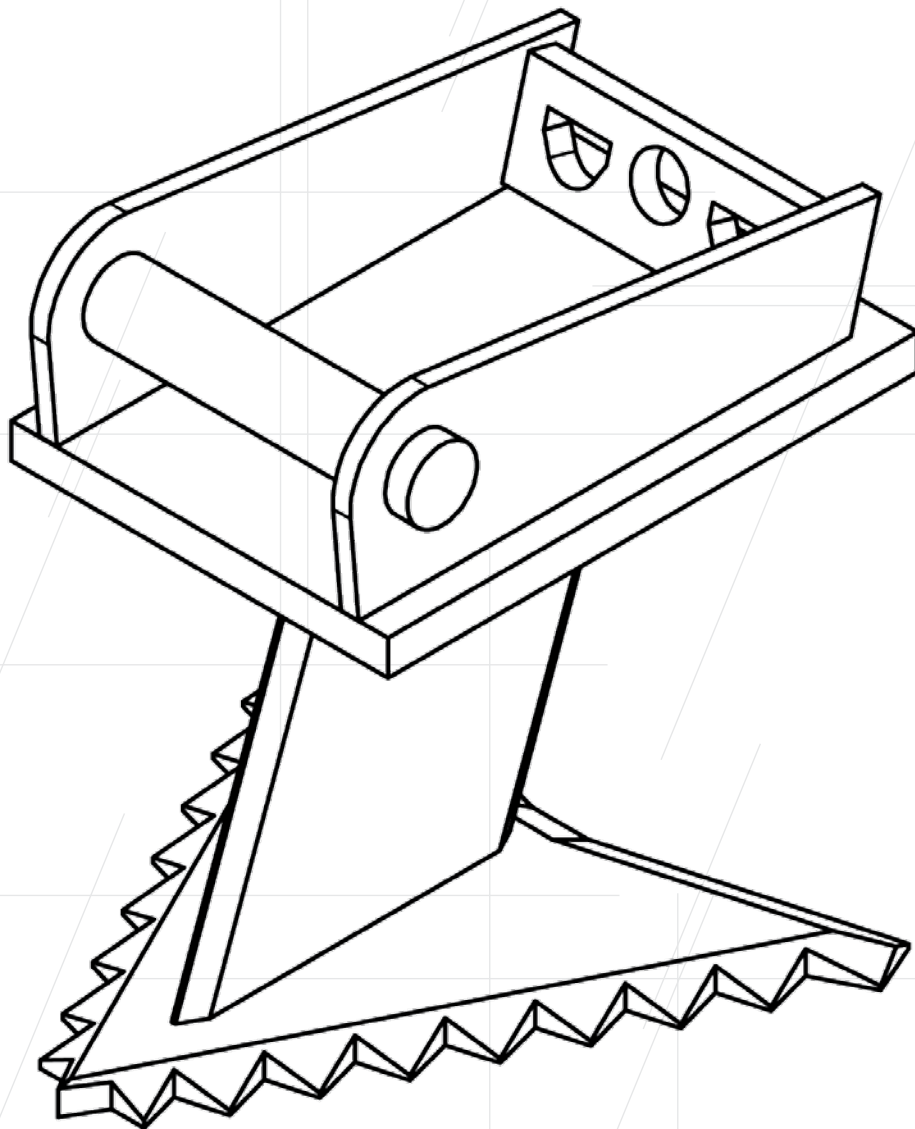


Durable

- highly wear-resistant material

Handling

- for a better test of hedges and roots
- tooth system for saw-like cutting of wood stubs and roots
- also for splitting



your contact person:

Steck Abbruchgeräte GmbH
Hauptstr. 20
D- 89192 Rammingen

place of jurisdiction: Ulm/Donau HRB 726131

VAT- ID No.: DE275269830

phone +49 (0) 7345 9123 - 0

fax +49 (0) 7345 9123 - 20

mail info@steck.de

internet www.steck.de

A large rectangular area enclosed by a dashed border, intended for the contact person's name and details.