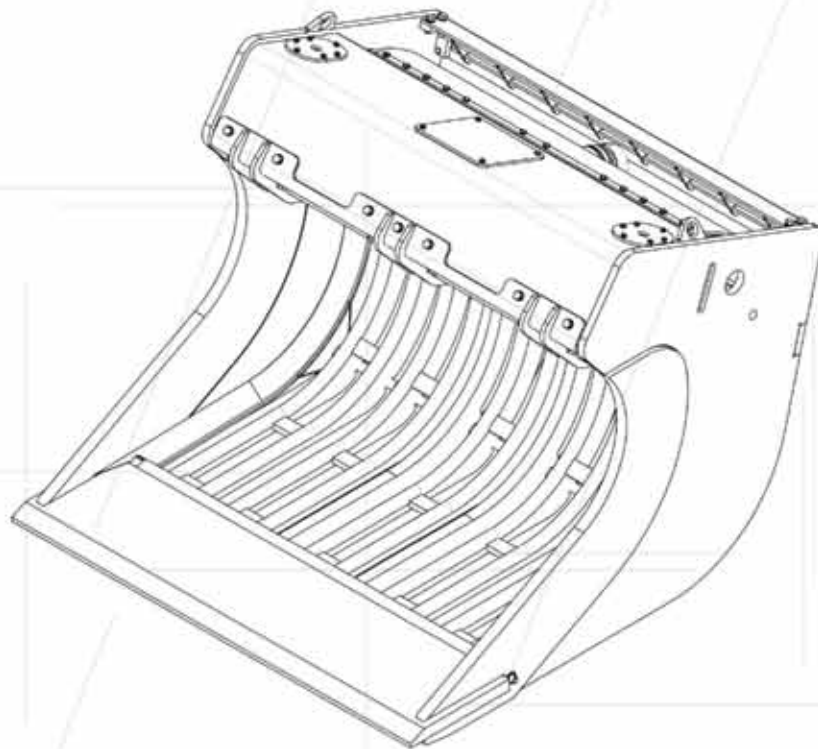
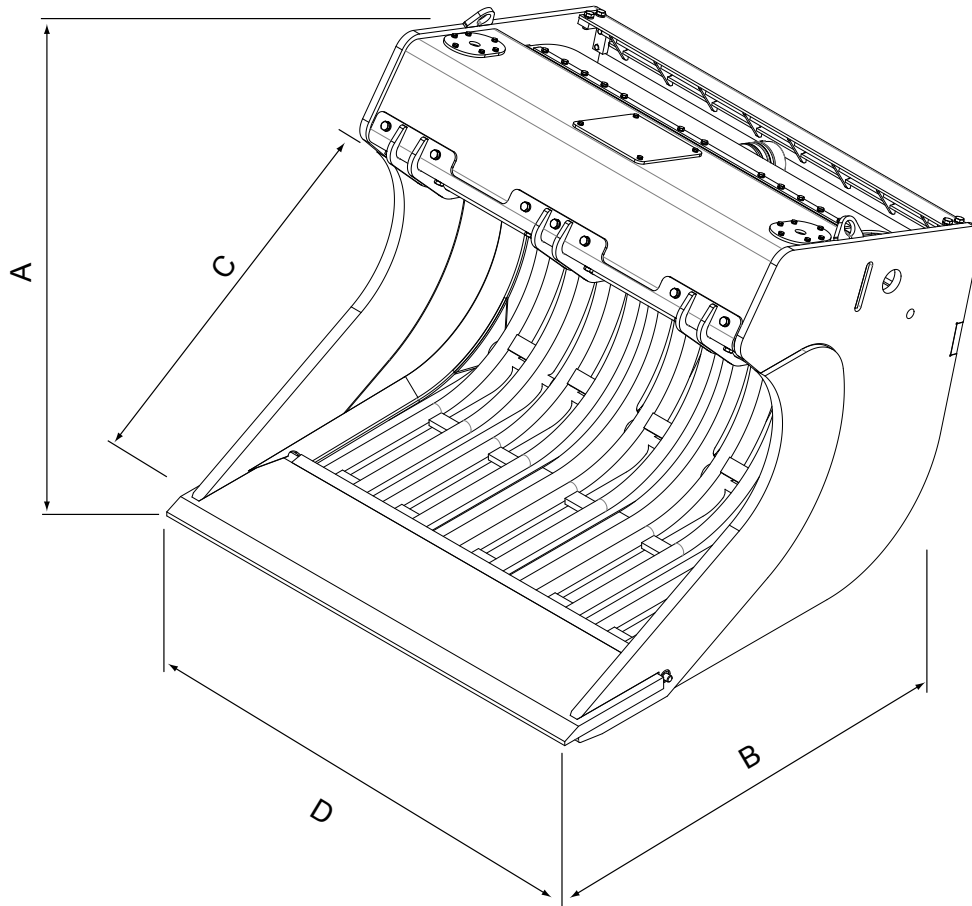




Vibration bucket



vibration bucket



Technical details	VTL11S	VTL15S	VTL19S
operating weight (t)	13 - 18	16 - 25	21 - 35
weight without head plate(kg)	1.100	1.475	1.885
capacity (l), SAE 1:2	600	800	1.200
A (mm)	1.275	1.275	1.275
B (mm)	1.400	1.400	1.695
C (mm)	1.000	1.000	1.140
D (mm)	1.200	1.560	1.610
root opening (mm)	80	80	80
operating pressure (bar)	140	140	140
flow (l/min)	70 - 100	70 - 100	70 - 100



Short cycle time

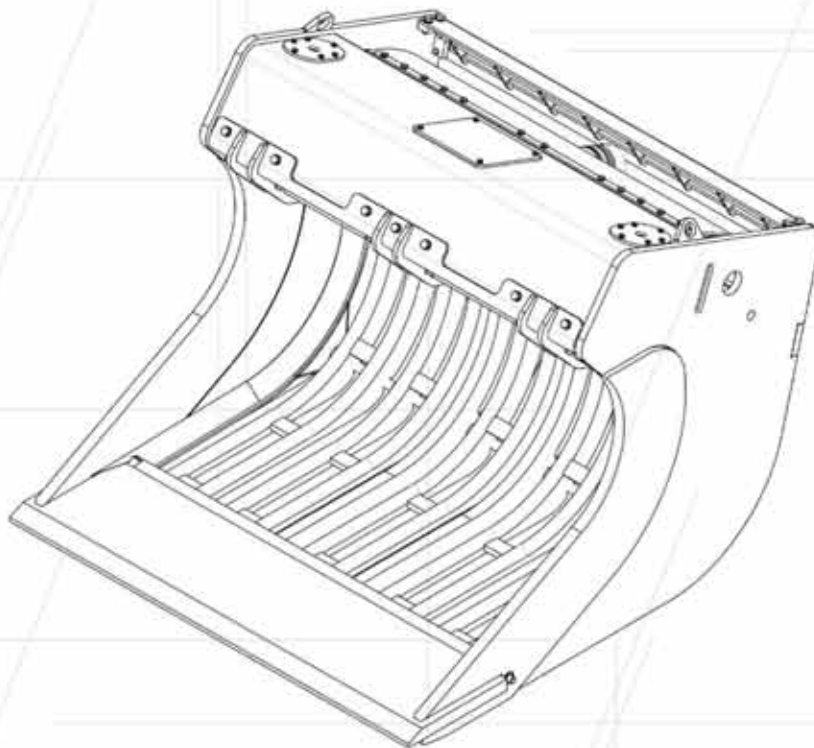
- hydraulically driven eccentric
- prevent material jamming round bars
- a short operation takes clean screening result

Easy handling

- versatile
- optimal material separation
- Spoon takes sieving, excavators must not shake

Easy maintenance

- maintenance-free hydraulic motor



Steck Abbruchgeräte GmbH
Hauptstr. 20
D- 89192 Rammingen

place of jurisdiction: Ulm/Donau HRB 726131
VAT- ID No.: DE275269830
phone +49 (0) 7345 9123 - 0
fax +49 (0) 7345 9123 - 20
mail info@steck.de
internet www.steck.de

your contact person:

A large, empty dashed-line box intended for the contact person's name and details.